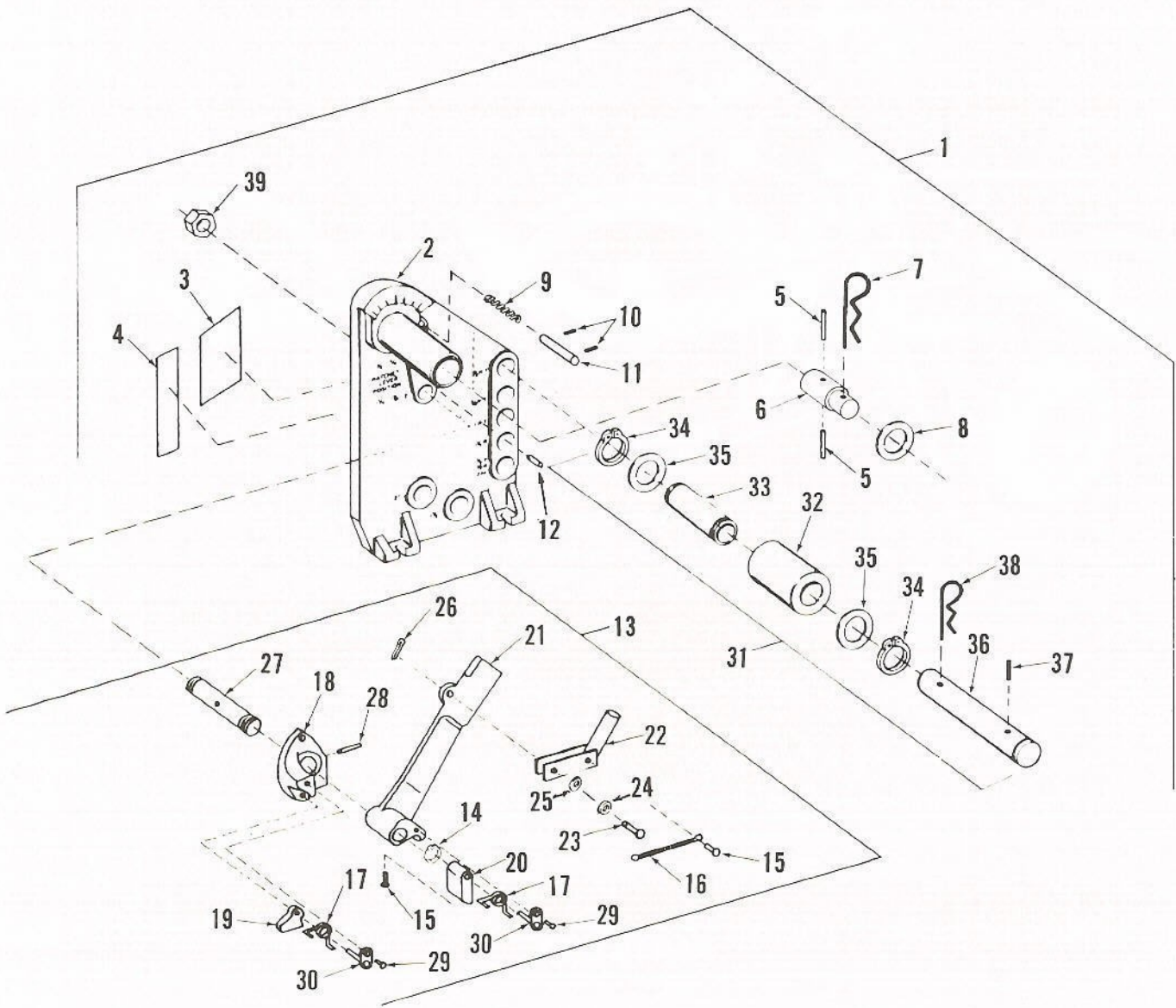
**OHS INC./ OHIO HYDRAULIC SERVICE****1- 800 828 0049****WWW.OHIOHYDRAULIC.COM****PARTS LIST**

Item No.	Parts Number	No. Req'd	Description
1	BWF-800	1	Mechanical Bender Frame
2	B1003.066	4	Lockwasher
3	B1026.108	4	Washer
4	B1077.046	4	Capscrew, Hex. Hd.
	BWF-88	1	Undercarriage Assembly
5	CK651.900	1	Undercarriage
6	CM240.026	1	Decal
7	C124.106	2	Wheel
8	B1010.058	2	Cotter Pin

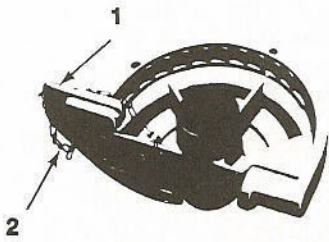
BENDER FRAME ASSEMBLY BWF-800



PARTS LIST

Item Number	Part Number	No. Required	Description
1	BWF-800 & 8000	1	. Mechanical Bender Frame Assembly
Ref. 2	CM236.900	1	.. Frame Assembly
3	CK13.900	1	... Frame
4	CK86.026	1	... Decal
5	CK87.026	1	... Decal
6	B1132.057	2	... Pin, Spring
7	CL970.225	1	... Insert
8	CL892.058	1	... Hairpin, Cotter
9	CL893.108	1	... Washer
10	CM49.110	1	... Spring
11	B1055.057	2	... Pin, Spring
12	CM47.061	1	... Pin
13	B1152.057	1	... Pin, Ratchet Locating
14	BF49	1	.. Ratchet Handle Assembly
15	CK578.044	1	... Ring, Retaining
16	CK24.305	2	... Stud, Drive
17	CK29.110	1	... Spring
18	CK30.110	2	... Spring
19	CK103.111	1	... Bracket
20	CK230.885	1	... Pawl, Hold
21	CK231.885	1	... Pawl, Drive
22	CK237.070	1	... Handle
23	CM243.070	1	... Lever
24	CL382.061	1	... Pin, Clevis
25	B1084.108	2	... Washer
26	CA154.108	2	... Washer, Spring
27	B1001.058	1	... Pin, Cotter
28	CK304.104	1	... Shaft
29	B1065.057	1	... Pin, Straight
30	CK307.028	2	... Capscrew, Button Hd.
31	F28.900	2	... Plate, Rivet
Ref. 32	cM244.900	1	.. Shaft and Roller Assembly
33	CM106.950	1	... Roller Assembly
34	CM260.281	1 Roller, Soft
35	CM98.950	1 Tube, Roller
36	CK380.044	2 Ring, Retaining
37	CK580.107	2 Bushing
Ref. 38	CM104.950	1	... Shaft Sub Assembly
39	CM101.061	1 Shaft
40	B1138.057	1 Pin, Spring
41	CL892.058	1	... Hairpin, Cotter
42	F67.123	1	.. Nut, Special

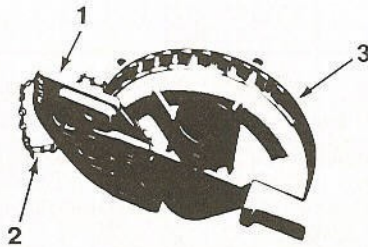
BENDING SHOES



BT-57510

1/2" - 3/4" - 1" Thinwall

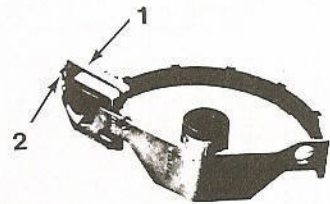
1. Jaw - BZ1306
2. Chain - Z1311



BT-12515

1 1/4" - 1 1/2" Thinwall

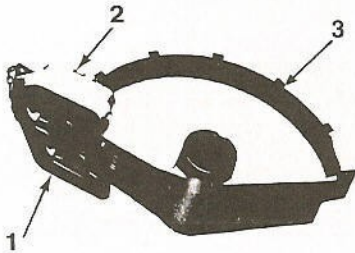
1. Jaw - BZ1307
2. Chain - Z1311
3. Tooth Insert - BT112520



BR-57510

1/2" - 3/4" - 1" Rigid

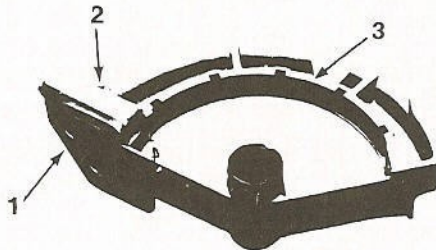
1. Jaw - BZ1306
2. Chain - Z1311



BR-12515

1 1/4" - 1 1/2" Rigid

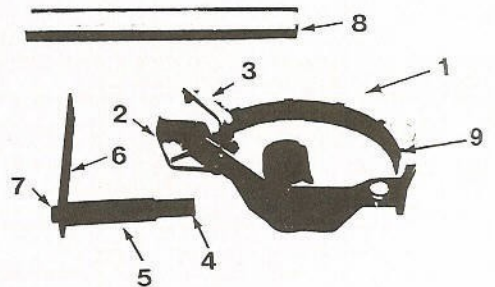
1. Jaw - BZ1307
2. Chain - Z1311
3. Tooth Insert - BT112520



BR-20000

2" Aluminum

1. Jaw - BZ1308
2. Chain - Z1311
3. Tooth Insert - BT112520



BT-2000

2" Thinwall

1. Shoe - CK341.900
2. Jaw - BZ13081
3. Chain - Z1311
- Strap & Roller Assembly - CM103.900
4. Shaft - CM104.950
5. Steel Roller - CM100.950
6. Strap - CM102.017
7. Hairpin - CL892.058
8. Follow Bar - BZ1345
9. Tooth Insert - BT112520

REPAIR AND SERVICE INSTRUCTIONS: For repair service and parts contact your nearest GB ELECTRICAL Service Center. The GB ELECTRICAL Inc. Service Center will provide complete and prompt service on all GB ELECTRICAL products.

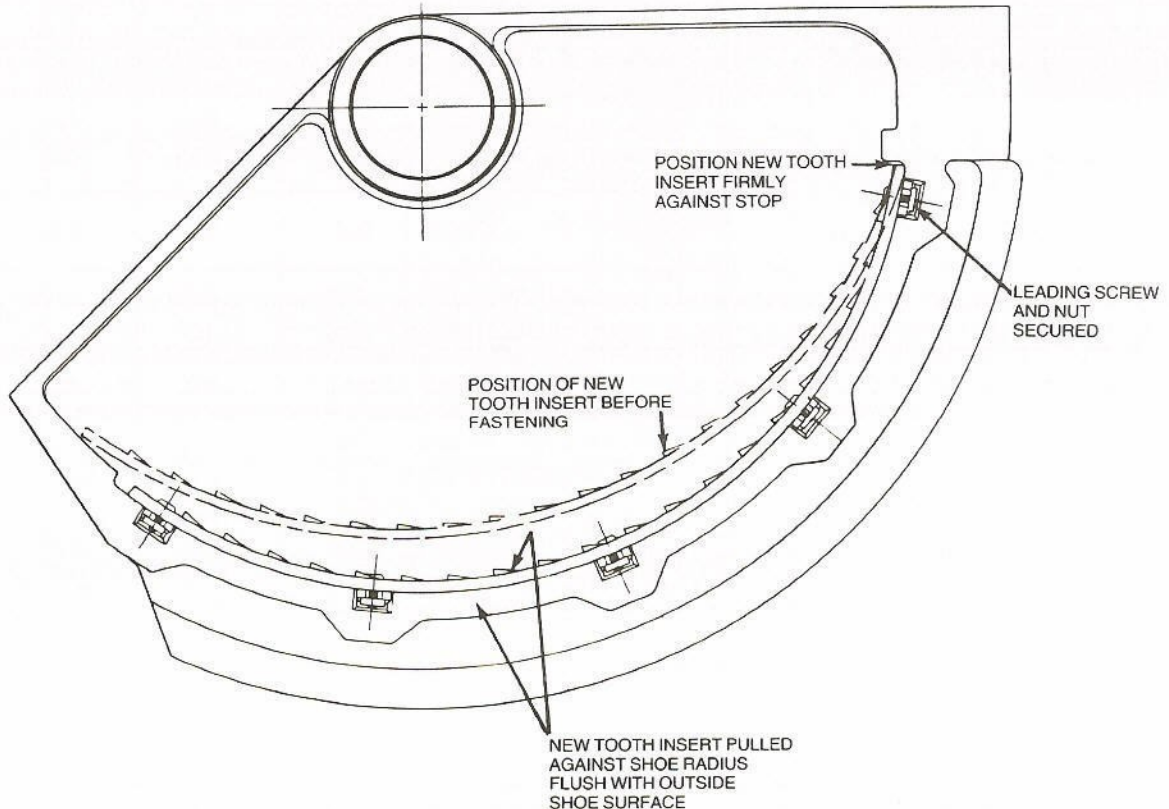
PARTS AND SERVICE: For quality workmanship and genuine GB ELECTRICAL parts, select an Authorized GB Service Center for your repair needs. Only repairs performed by an Authorized Service Center displaying the official GB Authorized sign are backed with full factory warranty. The Classified Section in Your Phone Book lists your nearest Authorized Service Center.

WARRANTY: GB ELECTRICAL, INC. warrants its product against defects in workmanship and materials for 90 days from date of delivery to user. Chain is not warranted. Warranty does not cover ordinary wear and tear, abuse, misuse, overloading, altered products or use of improper fluid.

WARRANTY RETURN PROCEDURE: When question of warranty claim arises, the user should send his unit to the nearest GB Authorized Service Center for inspection. Transportation to be prepaid and evidence of purchase data furnished. If the claim comes under the terms of our warranty the Authorized Service Center will REPAIR OR REPLACE PARTS AFFECTED and return prepaid.

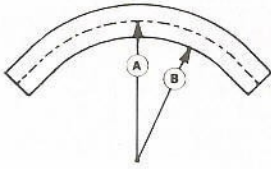
IMPORTANT: RECEIVING INSTRUCTIONS:
Visually inspect all components for shipping damage. If any shipping damage is found, notify carrier at once.

Shipping damage is NOT covered by warranty. The carrier is responsible for all repair or replacement costs resulting from damage in shipment.

SAFETY**FIRST**

1. Remove old tooth insert by unfastening five (5) screws and nuts. Discard old insert, screws, and nuts.
2. Position new tooth insert, (as shown) with leading edge of tooth insert placed firmly against shoe stop. Pull insert against shoe radius, flush with outside surface.
3. Fasten tooth insert in place (using screw and nuts supplied with new insert), beginning with leading screw and nut position (as shown), and moving rearward until all five (5) screws and nuts are firmly secured.

Bender Shoe Radii Table



This radii table is provided for your general information. The Centerline (A) and Inside Radius (B) are shown for each shoe. In selecting a bender set, compare the shoe model number with this table for complete shoe radii information.

Type of Conduit and Pipe	Nominal Size Shoe	Pipe Size		Pipe Bend Centerline Radius (A) (inches)	Pipe Bend Inside Radius (B) (inches)	Bending Shoe Model No.
		Actual O.D.	Fractional O.D.			
IMC	1/2"	.815	13/16	3 1/4	2 13/16	BR-57510/ BR-11000
	3/4"	1.029	1 1/32	5	4 1/2	
	1"	1.290	1 1/64	6 7/16	5 3/4	
	1 1/4"	1.638	1 41/64	8 1/16	7 1/4	BR-12515/ BR11500
	1 1/2"	1.883	1 47/64	9 9/16	8 5/8	
Steel Rigid, Aluminum Rigid	1/2"	.840	27/32	3 1/4	2 13/16	BR-57510/ BR-11000
	3/4"	1.050	1 1/16	5	4 1/2	
	1"	1.315	1 5/16	6 7/16	5 3/4	
	1 1/4"	1.660	1 21/32	8 1/16	7 1/4	BR-12515/ BR-11000
	1 1/2"	1.900	1 27/32	9 9/16	8 5/8	
Aluminum Rigid	2"	2.375	2 3/8	9 5/16	8 1/8	BR-20000/ BR-12000
Thinwall (EMT)	1/2"	.706	23/32	3 5/16	2 5/16	BT-57510/ BT-11000
	3/4"	.922	1 5/16	5 1/16	4 5/8	
	1"	1.163	1 5/32	6 7/16	5 7/8	
	1 1/4"	1.510	1 1/2	9 7/8	9 1/8	BT-12515/ BT-11500
	1 1/2"	1.740	1 3/4	11 3/8	10 1/2	
	2"	2.197	2 3/16	9 1/2	8 3/8	

REPAIR AND SERVICE INSTRUCTIONS: For repair service and parts contact your nearest ENERPAC Service Center. The ENERPAC Service Center will provide complete and prompt service on all ENERPAC products.

PARTS AND SERVICE: For quality workmanship and genuine ENERPAC parts, select a Franchised ENERPAC Service Center for your repair needs. Only repairs performed by a Franchised Service Center displaying the official ENERPAC Franchised sign are backed with full factory warranty. The Classified Section in Your Phone Book lists your nearest Franchised Service Center.

WARRANTY: ENERPAC warrants its product against defects in workmanship and materials for 90 days from date of delivery to user. Chain is not warranted. Warranty does not cover ordinary wear and tear, abuse, misuse, overloading, altered products or use of improper fluid.

WARRANTY RETURN PROCEDURE: When question of warranty claim arises, the user should send his unit to the nearest ENERPAC Franchised Service Center for inspection, transportation to be prepaid and evidence of purchase date furnished. If the claim comes under the terms of our warranty, the Franchised Service Center will REPAIR OR REPLACE PARTS AFFECTED and return prepaid.

ENERPAC