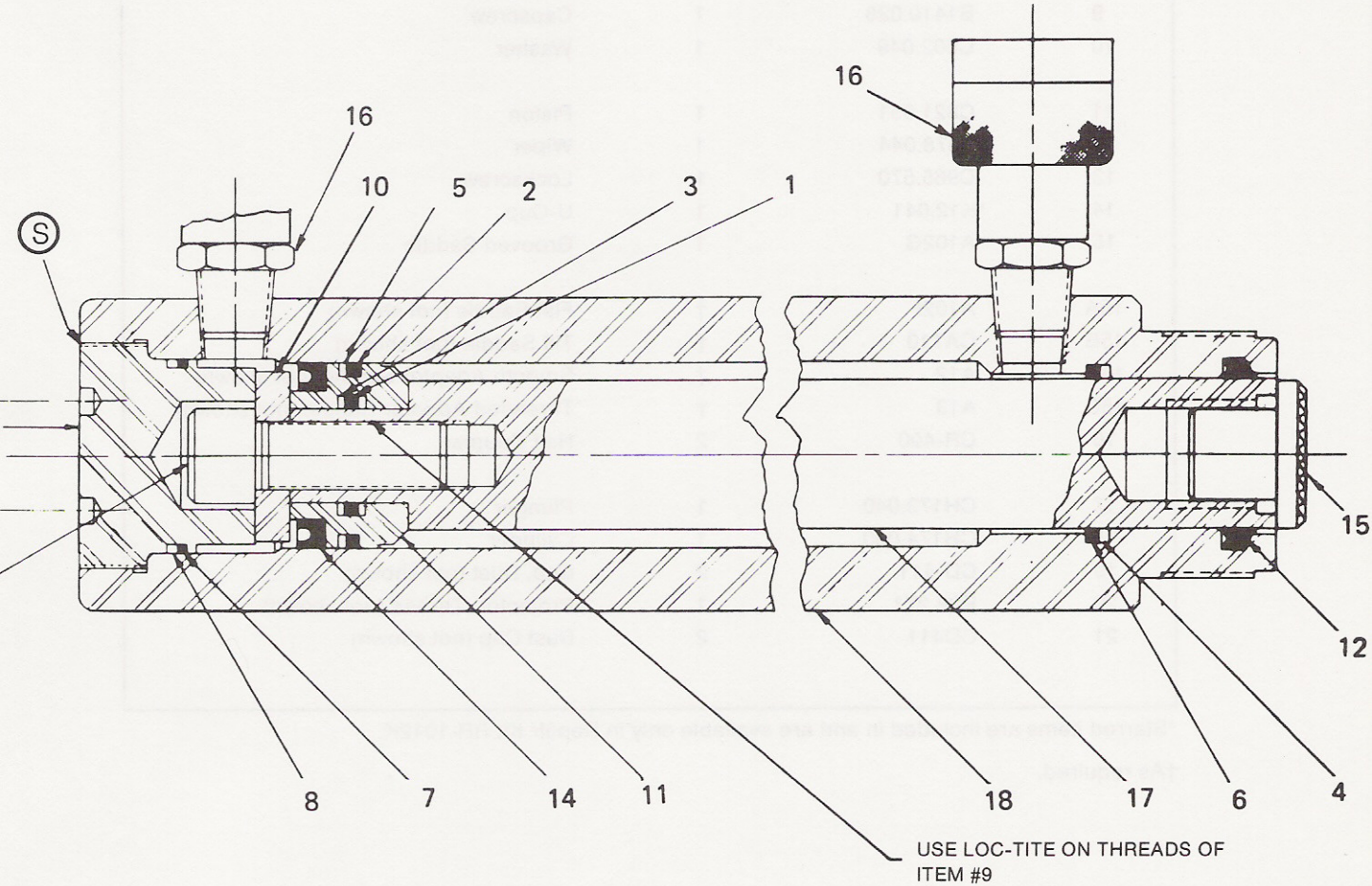


MINI-EEGOR BENDER FRAME — CH570.900			
Item No.	Part Number	No. Req'd.	Description
1	JDS-1012	1	Cylinder Assembly
2	CH322.885	1	Yoke
3	CH331.061	2	Pins
4	CH950.044	6	Ring, Retaining
5	CK79.103	1	Bar, Stabilizer
6	See Page 3		Shoe Bending
7	CH571.950	1	Roller Assembly, Lower (See page 2)
8	CJ345.900	1	Load Arm Assembly (Upper)
9	CH572.950	1	Roller Assembly, Upper (See page 2)
10	CH454.885	1	Rod Eye
11	B1009.120	2	Nut, Hex
12	CJ344.900	1	Cylinder Mounting Assembly
13	CJ345.900	1	Load Arm Assembly (Lower)
14	CH333.061	1	Pin, Load Arm
15	CA306.044	1	Ring, Retaining
16	CH452.885	1	Stablizer
17	CM340.037	1	Support, Cylinder
18	B1005.120	2	Nut
19	CM338.242	1	U-Bolt

TO PROTECT YOUR WARRANTY, USE ONLY ENERPAC HYDRAULIC OIL.

L-944
REV A
1-91

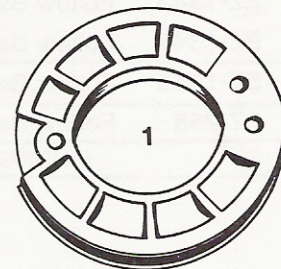
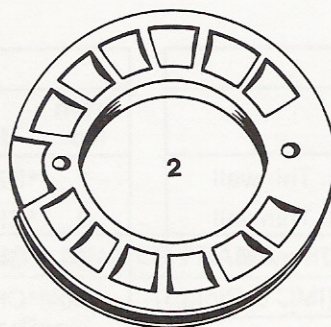
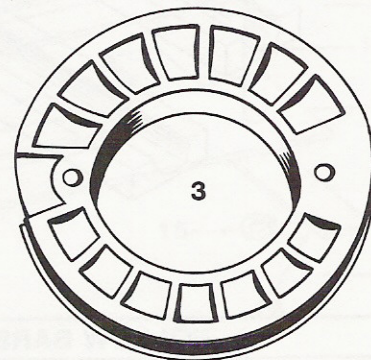
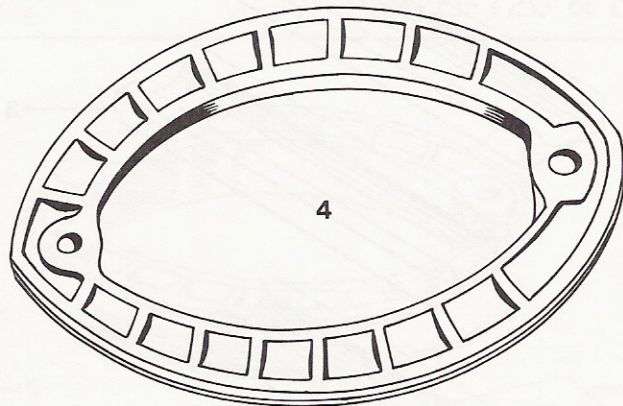
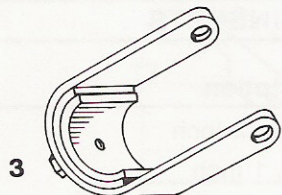
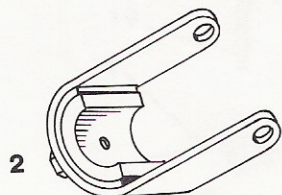
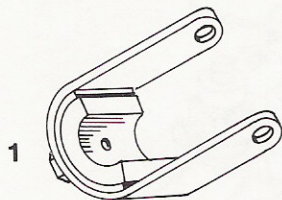
FOR SERIAL NUMBERS BEGINNING WITH "O"



“CAUTION”

Ⓢ INDICATES STAKED THREADS. DRILL OUT STAKE MARK PRIOR TO REMOVAL OF THIS PART. FAILURE TO REMOVE STAKED THREADS MAY RESULT IN DAMAGE TO THE PART. RESTAKE AFTER TESTING OF REPAIRED CYLINDER.

TO PROTECT YOUR WARRANTY, USE ONLY ENERPAC HYDRAULIC OIL.



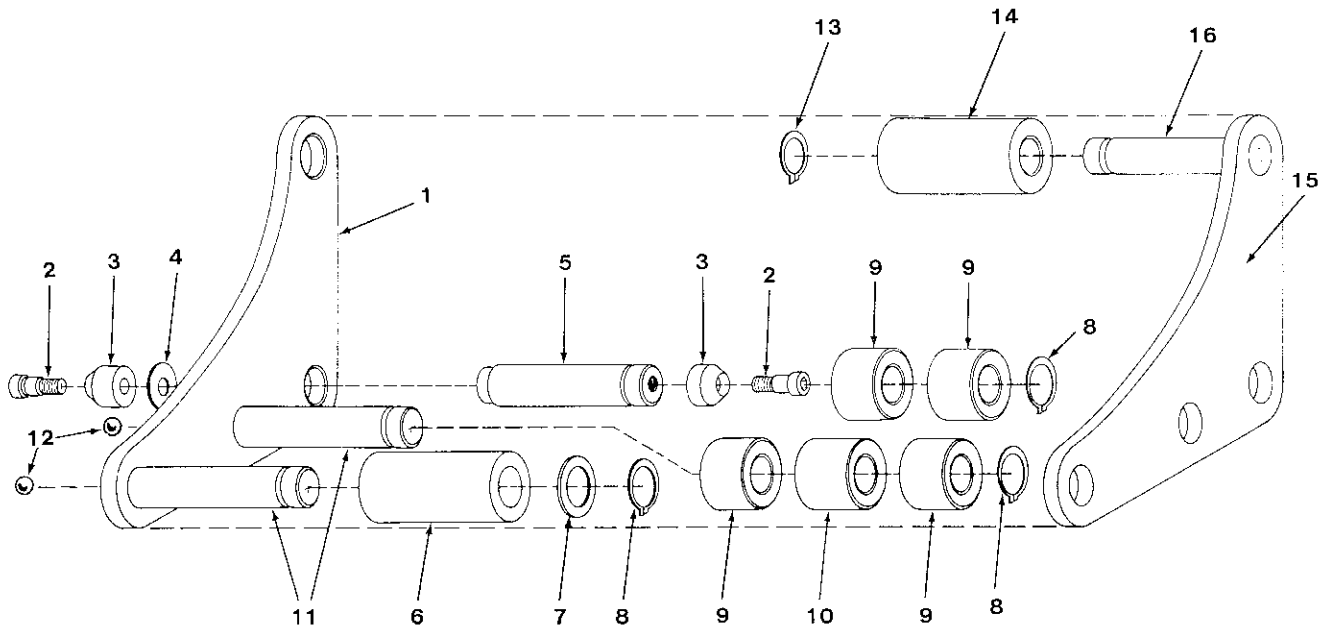
REPLACEMENT U-STRAP WITH INSERTS

Item No.	Part Number	Description
1	BZ-253	U-Strap w/1 in. Insert
2	BZ-254	U-Strap w/1¼ in. Insert
3	BZ-255	U-Strap w/1½ in. Insert

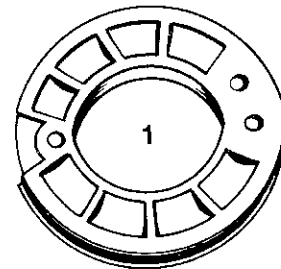
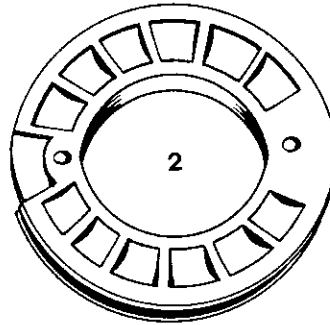
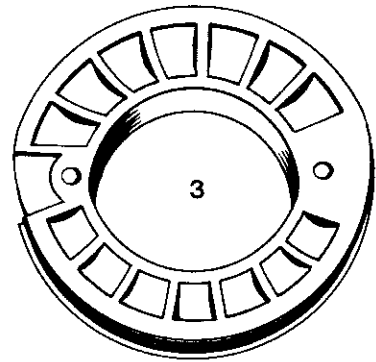
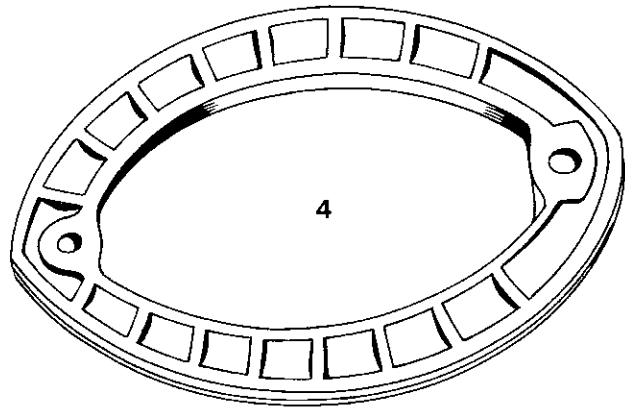
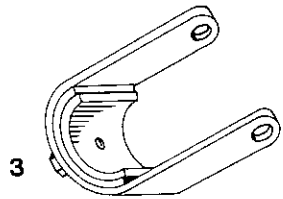
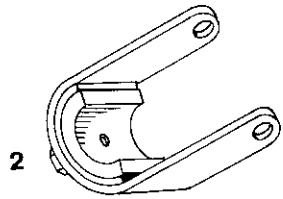
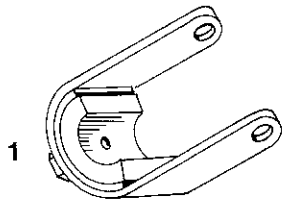
Not available as separate parts. See page 4.

BENDING SHOES

Item No.	Part Number	Description
1	BZ-259	Shoe, 1 inch
2	BZ-260	Shoe, 1¼ inch
3	BZ-261	Shoe, 1½ inch
4	BZ-262	Shoe, 2 inch



LOWER ROLLER ASSEMBLY — BZ-247			
Item No.	Part Number	No. Req'd.	Description
1	CH449.101	1	Schmoor Plate, Lower
2	CH863.028	2	Screw, Shoulder
3	CH862.281	2	Follower, Cam
4	CH939.108	1	Washer, Retaining
5	CH935.104	1	Axle
6	CH438.281	1	Roller, Long
7	CH439.108	1	Washer, Retaining
8	CA306.044	3	Ring, Retaining
9	CH455.281	4	Roller
10	CH437.281	1	Roller, Short
11	CH450.104	2	Axle
12	B1011.016	2	Ball, Steel (.38 Dia.)
UPPER ROLLER ASSEMBLY — BZ-249			
13	CA306.044	1	Ring, Retaining
14	CH335.281	1	Roller, Large
15	CH448.101	1	Plate, Upper
16	CH450.104	1	Axle



REPLACEMENT U-STRAP WITH INSERTS		
Item No.	Part Number	Description
1	BZ-253	U-Strap w/1 in. Insert
2	BZ-254	U-Strap w/1 1/4 in. Insert
3	BZ-255	U-Strap w/1 1/2 in. Insert

BENDING SHOES		
Item No.	Part Number	Description
1	BZ-259	Shoe, 1 inch
2	BZ-260	Shoe, 1 1/4 inch
3	BZ-261	Shoe, 1 1/2 inch
4	BZ-262	Shoe, 2 inch

Inserts are available as separate items. See page 4.