

B2000-5 CYCLONE BENDER

TB-0001

04/01

B2000-5 Cyclone Bender serial numbers beginning with "F".

Effective April 1, 2001 the model B2000 Cyclone Bender has been upgraded to a dash 5 version, B2000-5. The latest improvements are: two wheels added to the rear leg assembly, a new electronic circuit control, and a small hook on the pendant control box.

Rear Leg Assembly

The rear leg assembly is completely new, although the part number has not changed. A set of locking casters has been added as a feature that can be installed by the user. When the bender is shipped the legs have solid rests threaded into the bottom of the rear legs. If desired, the rests can be removed and replaced by the casters that are shipped with the bender. The legs on the old units can be removed and replaced with the new style, but the entire leg assembly must be removed, discarded and replaced with the new version.

Electronic Circuit Control

The electronic circuit control BMK-2 has been replaced with a new version called the BMK-3. The installation of a BMK-3 will

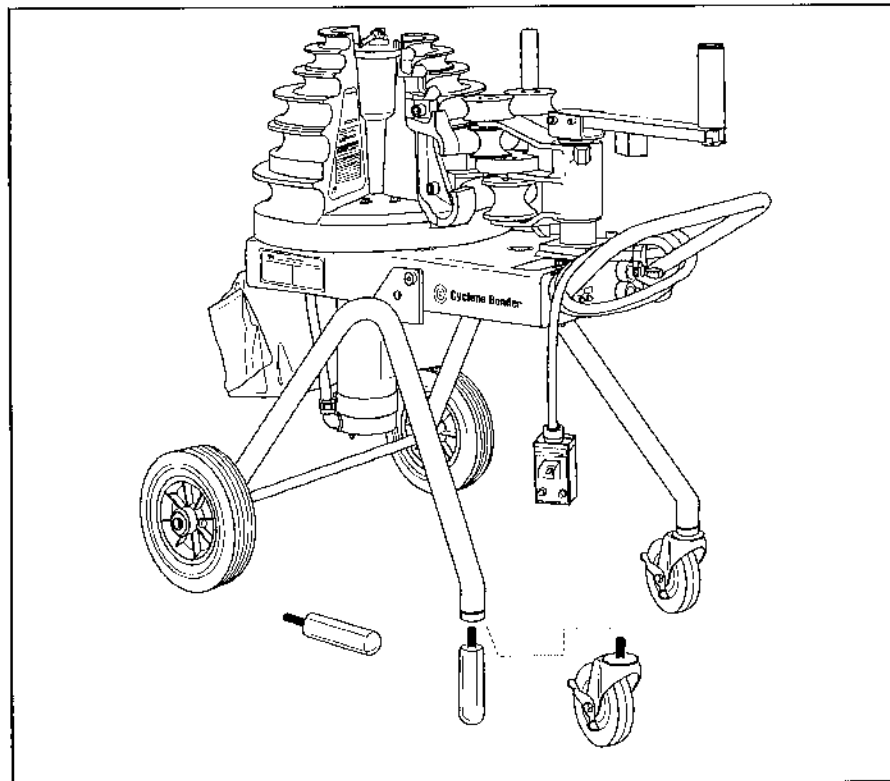
require a new rear handle with electronic circuit installed at the factory. Changes to the control circuit include a lighted ON-OFF switch, a re-settable 15-amp fuse, and an SCR circuit to replace the 25-amp triac. The new items protrude through the handle plate and make the old handle obsolete. The old BMK-2 can still be repaired by replacing the individual components, but we will no longer offer the BMK-2 as an assembly.

Note: The printed circuit boards are not interchangeable between the BMK-3 and the BMK-2.

Hook on Pendant Control

The pendant control has a hook attached to the outer case. The hook provides a means for placing the pendant over the handle, thereby reducing accidental damage.

A new B2000-5 repair parts sheet is enclosed and shows the new part numbers for the changed design.



Call GB Technical Support with any questions regarding the changes. 1-800-624-4320 extension 3329.



Repair Parts Sheet

B2000-5 Cyclone Bender

RPS-0091 03/01

Effective for models with serial numbers beginning with "G".

IMPORTANT: RECEIVING INSTRUCTIONS Visually inspect all components for shipping damage. If you find damage, notify the carrier at once.

Shipping damage is NOT covered by warranty. The carrier is responsible for all repair or replacement costs resulting from damage in shipment.

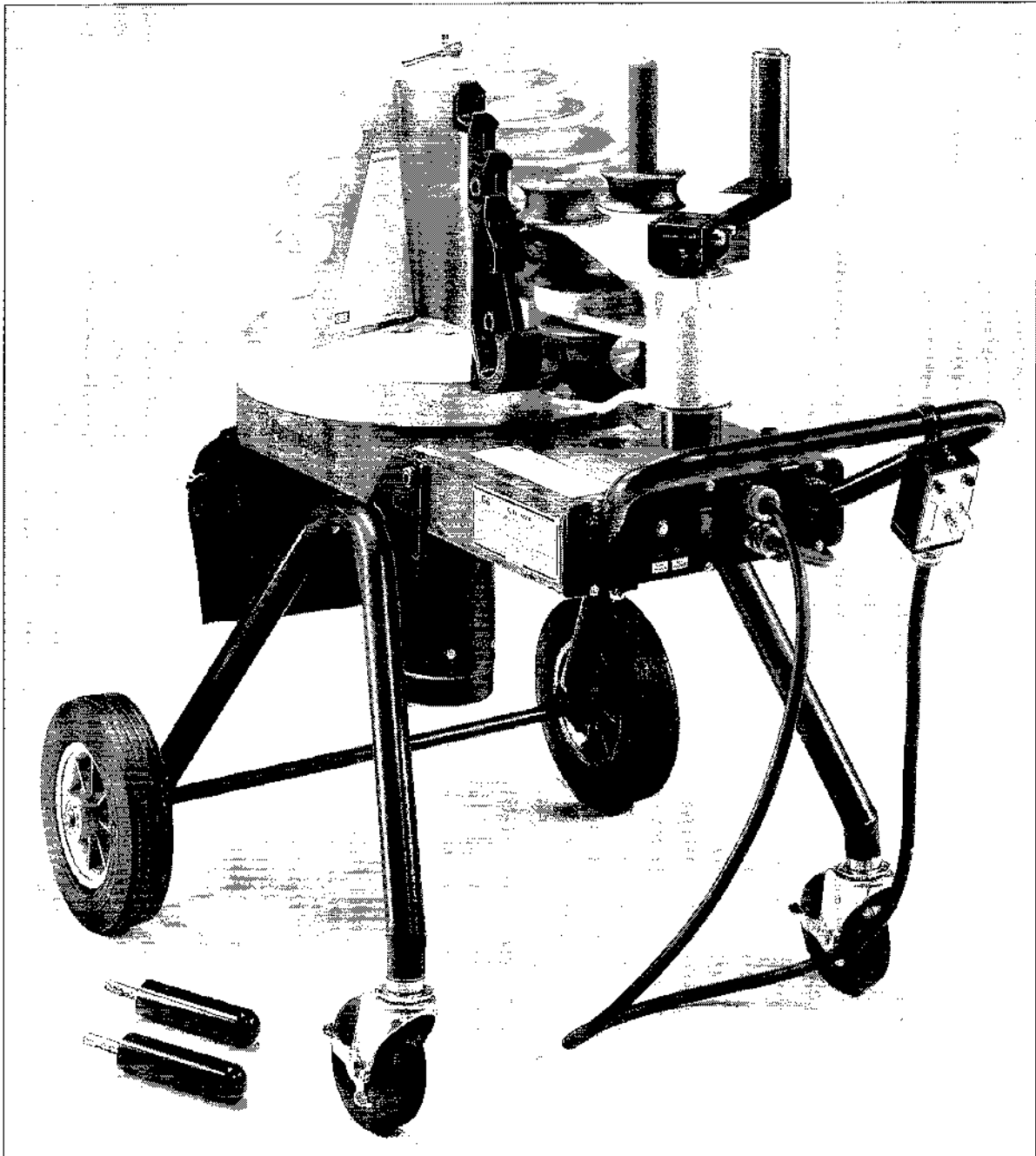
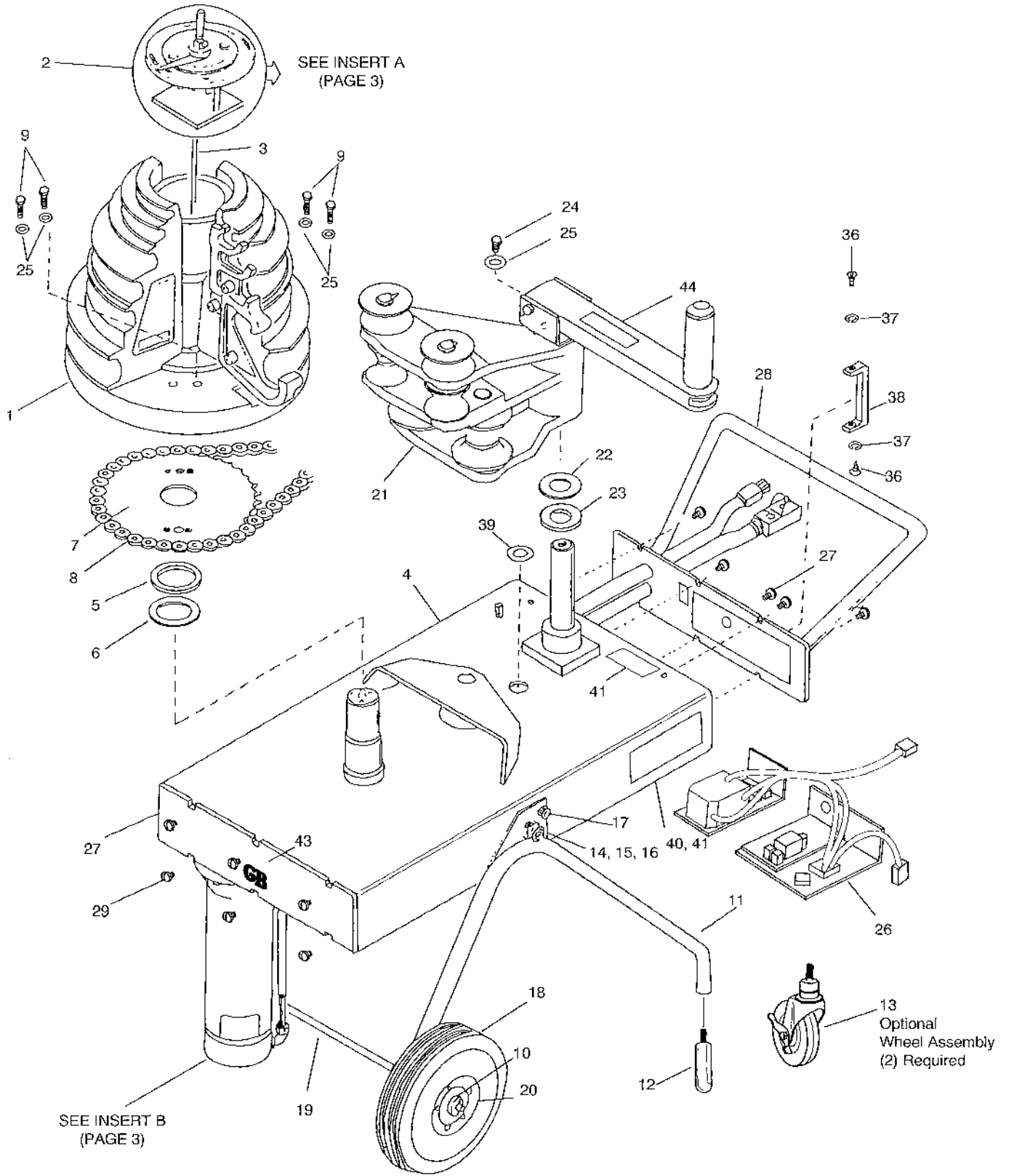
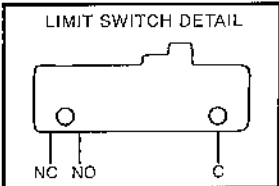
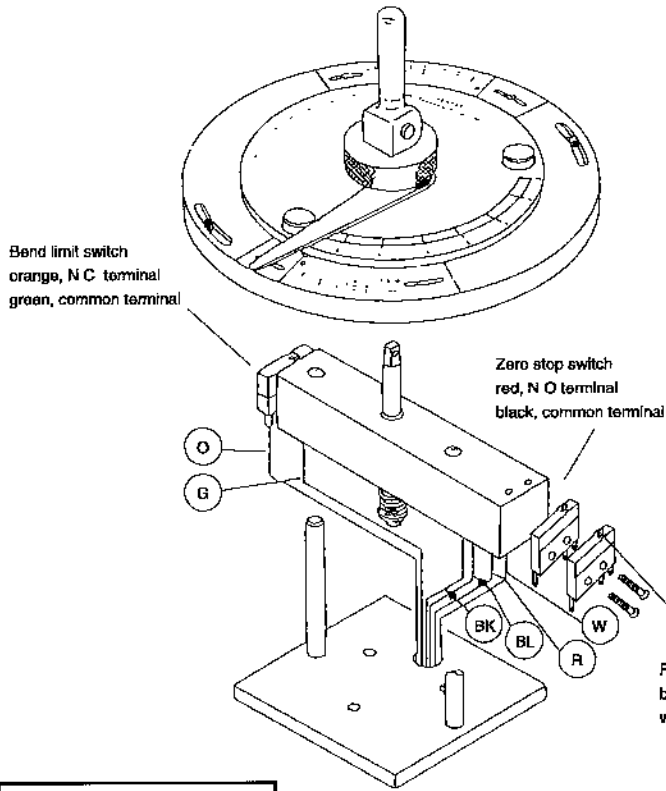


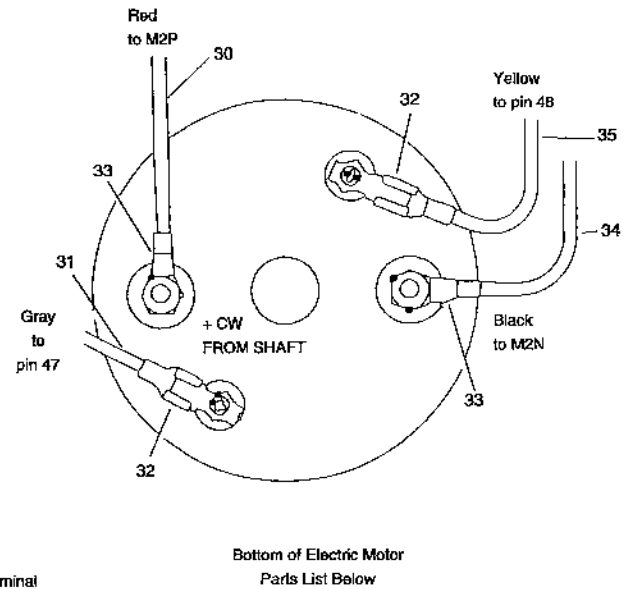
Figure 1
B2000 Bender Assembly



INSERT A



INSERT B

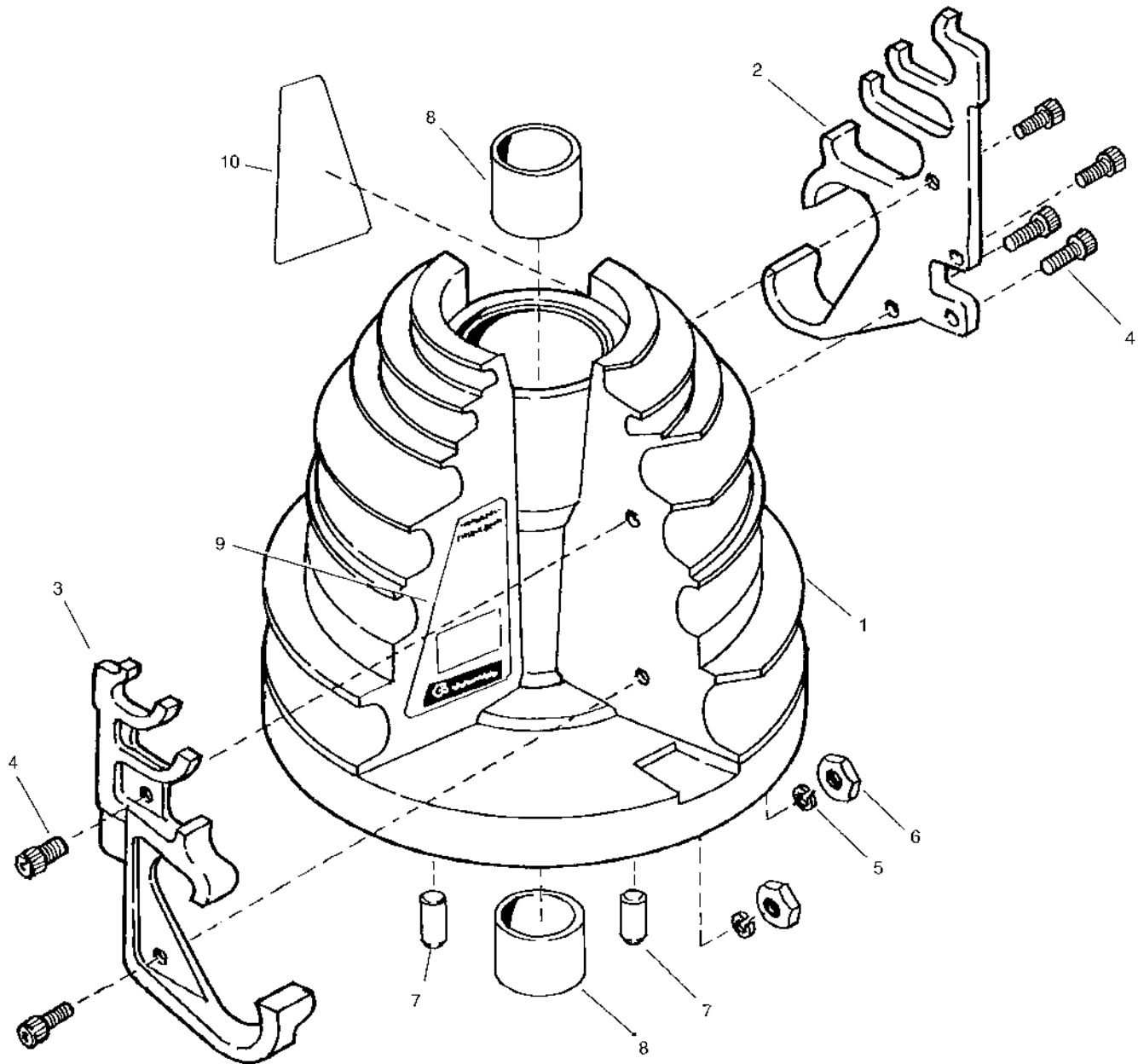


Bottom of Electric Motor
Parts List Below

Item No.	Part Number	No. Req'd	Description
1	-----	1	Shoe Sub Assm (Figure 2)
2	-----	1	Limit Switch Assm (Figure 3)
3	CL712647W	1	Cable, Limit and Switch
4	DA7058900	1	Sprocket Housing
5	CL157108	1	Washer, Shoe
6	CL221108	1	Washer, Thrust
7	CL170228	1	Sprocket, Shoe
8	CL333066	1	Chain
9	CL943028	4	Cap Screw
10	B1046108	4	Washer
11	CL181900	1	Leg Assembly
12	BZK5105	2	Leg Inserts
13	BZK5106	2	Casters (optional)
14	CL185061	1	Locking Pin
15	CL183110	1	Spring
16	F57044	1	Ring
17	CL677242	2	Screw, Shoulder
18	CK456106	2	Wheel
19	CU403950W	1	Rear Axle Assembly
20	B1011058	2	Colter Key
21	CU295900K	1	Roller Housing Assm (Figure 4)
22	CK696108	1	Washer
23	CL229248	4	Shim

Item No.	Part Number	No. Req'd	Description
24	B1077046	1	Cap Screw
25	CL944108	1	Washer
26	BMK3	1	Relay Control Assm (Figure 9)
27	CL724950W	1	End Plate
28	DA7040900	1	Handle & Ctrl Ckt Assm (Figure 7)
29	CL274028	12	Cap Screw
30	CR190900	1	Wire Assembly
31	CR191900	1	Wire Assembly
32	E1001104	2	Push-on Connector
33	E1001021	2	Ring-Tongue Connector
34	CR189900	1	Wire Assembly
35	CR192900	1	Wire Assembly
36	B1485046	4	Screw
37	B1002066	4	Lockwasher
38	CM16950W	2	Bracket
39	CM129006	1	Seal
40	CU384026	1	Nameplate
41	CU505028	4	Tack, Metal
42	DA6986026	1	Decal, Instruction
43	DA3366026	1	Decal, GB Logo
44	CK994900K	1	Upper Roller and Handle (Figure 5)

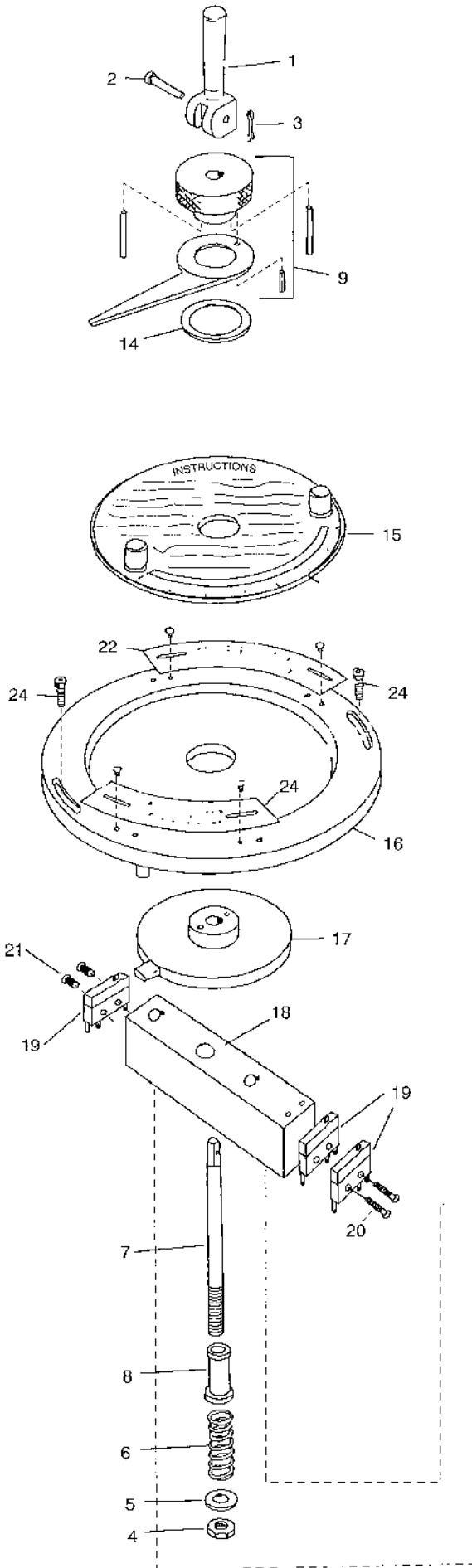
Figure 2
Shoe Subassembly



Item No.	Part Number	No. Req'd	Description
1	CL199809K	1	Shoe Bending (incl. items 9 and 10)
2	CN542005	1	Clamp, IMC
3	CN541005	1	Clamp, EMT
4	B1414028	6	Capscrew
5	B1007066	6	Lockwasher

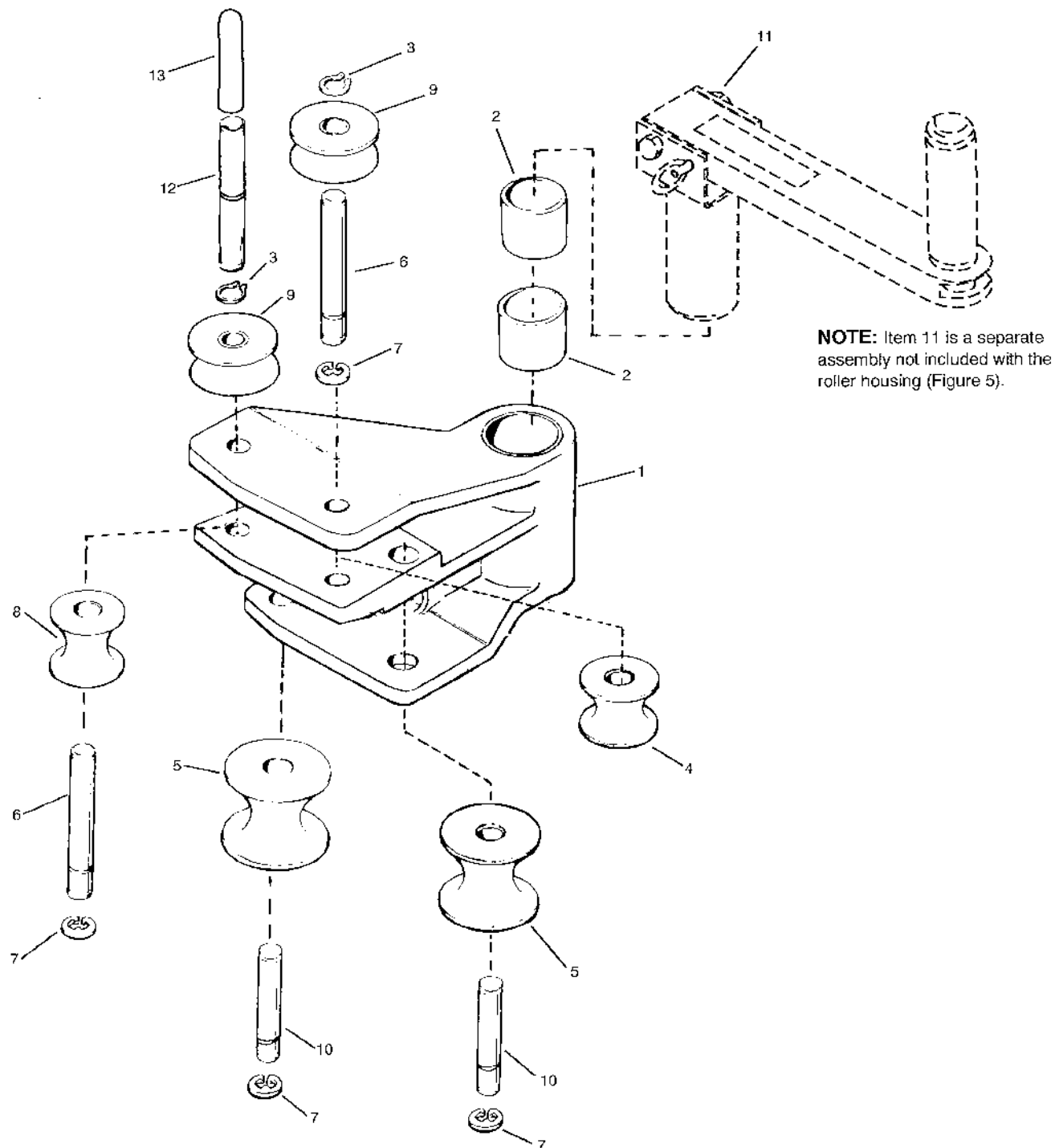
Item No.	Part Number	No. Req'd	Description
6	B1014120	6	Nut
7	CK691061	2	Pin
8	CL61107	2	Bearing
9	CM126026	1	Instruction Decal - Stub-Up
10	CM127026	1	Instruction Decal - Offset

Figure 3
Limit Switch Assembly



Item No.	Part Number	No. Req'd	Description
Ref. -----		1	Limit Switch Assembly
1	CM768350	1	Double Cam
2	CM781061	1	Pin, Clevis
3	B1001058	1	Pin, Cotter
4	CM793055	1	Locknut
5	B1095108	1	Washer
6	CF679110	1	Spring
7	CM772104	1	Shaft
8	CM782039	1	Bushing
9	CM802950		includes...
		1	Knob Assembly
		1	Knob
		1	Dial Locator Pin
		1	Indicator
		2	Pins
14	CM767108	1	Washer
15	CM801950KW	1	Upper Plate Assembly
16	DA2683950	1	Trip Ring Assembly
17	CM803950KW	1	Actuator Assembly
18	DA2681103	1	Arm Switch
19	DA9687372	3	Switch, Limit
20	CL270028	2	Screw
21	CM472028	2	Screw
22	CM593026	1	Decal, Pipe Sizes (EMT)
23	CM594026	1	Decal, Pipe Sizes (Rigid-IMC)
24	CM474028	2	Capscrew
25	CM797950KW	1	Plate Assembly
26	B1004028	3	Capscrew
27	B1001006	3	Lockwasher
28	CL221108	1	Washer, Thrust

Figure 4
Roller Housing Assembly – CU295900

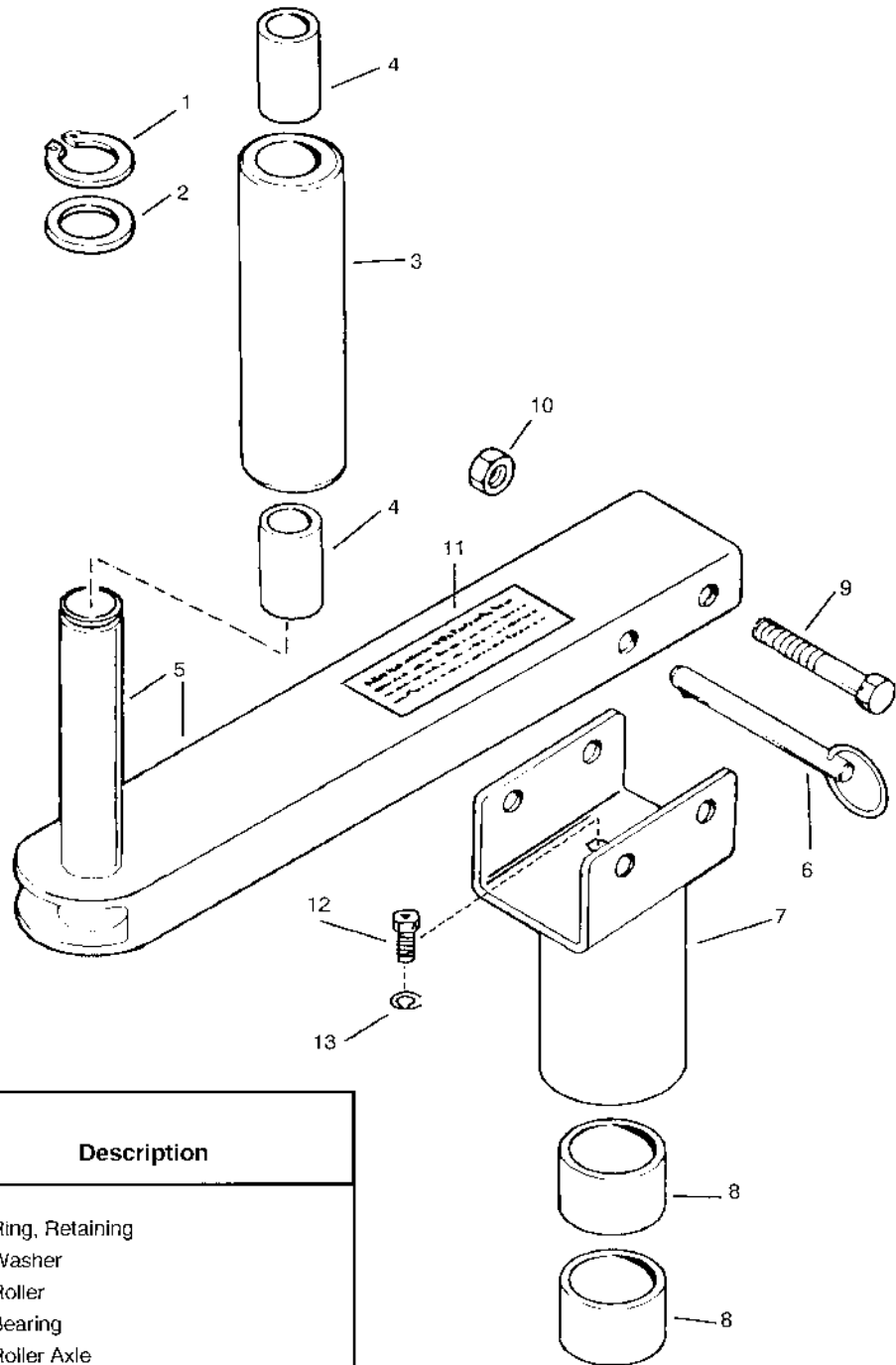


Item No.	Part Number	No. Req'd	Description
1	* CU296037K	1	Housing, Roller
2	CL61107	2	Bearing
3	CA306044	2	Snap Ring
4	CU299281	1	Roller
5	CU298281	2	Roller
6	CN452104K	1	Shaft, Roller
7	CN453044	4	Ring, Retaining
8	CU319281	1	Roller

Item No.	Part Number	No. Req'd	Description
9	CU300281	2	Roller
10	CU297104	2	Shaft, Roller
11	-----	1	Upper Roller Assm (see Figure 5)
12	DC694104	1	Axle
13	CL343550	1	Grip, Handle

*** When the housing is ordered, the bearings will be pre-installed.**

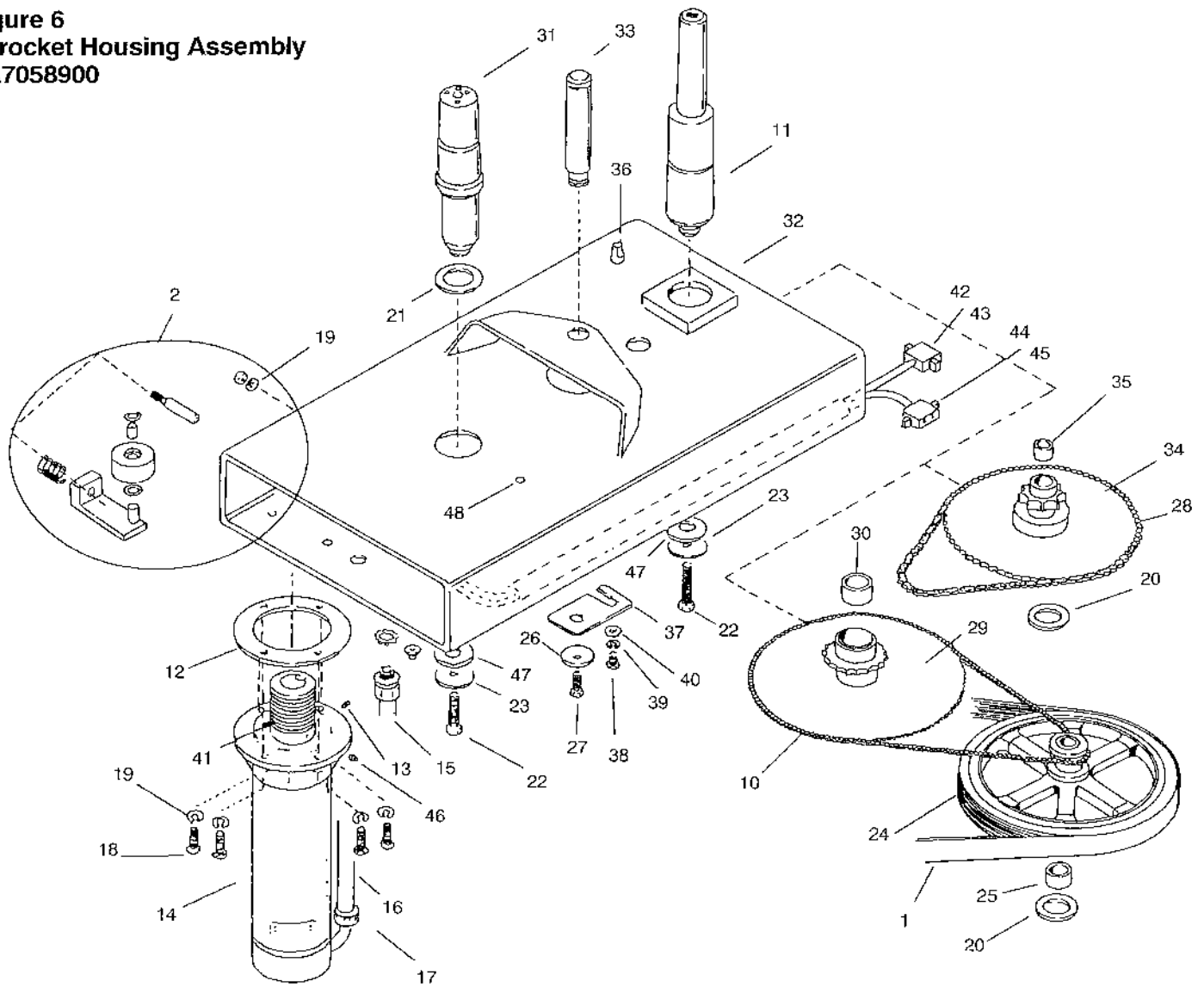
Figure 5
Upper Roller and Handle Assembly – CK994900



Item No.	Part Number	No. Req'd	Description
1	CJ225.044	1	Ring, Retaining
2	CK569.108	1	Washer
3	*CK575.281K	1	Roller
4	CK295.107	2	Bearing
5	GL30.900	1	Roller Axle
6	CK218.061	1	Pin
7	*CL662.950KW	1	Shaft Cam
8	CK693.107	2	Bearing
9	CH400.028	1	Capscrew
10	CU438.055	1	Nut
11	CM557.026	1	Decal, Caution
12	B1077046	1	Cap Screw
13	CL944108	1	Washer

*** These items come with bearings installed.**

Figure 6
Sprocket Housing Assembly
DA7058900

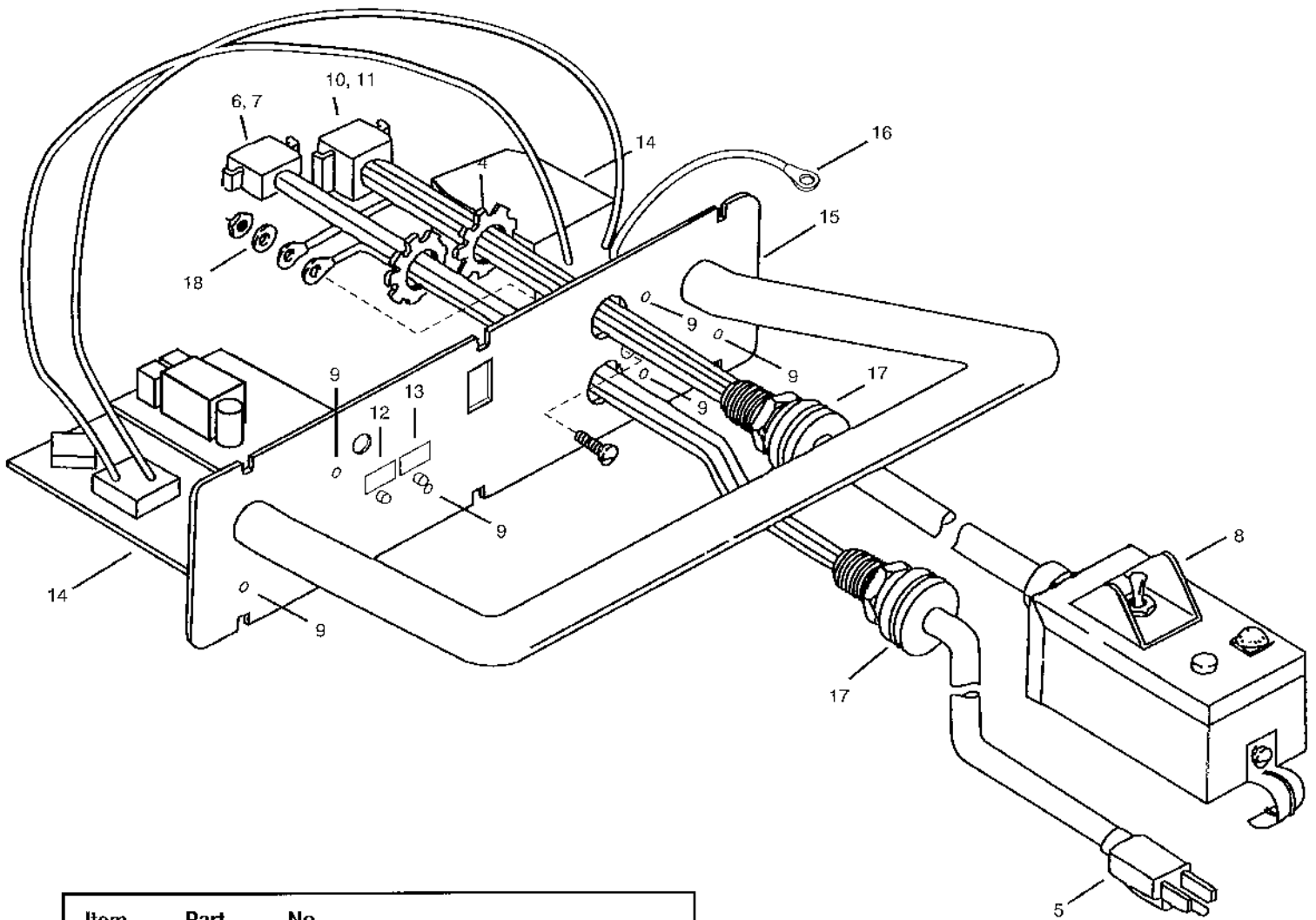


Item No.	Part Number	No. Req'd	Description
Ref	CL664900	1	Sprocket Housing Subassembly
1	CL310014	1	Drive Belt
2	CL306900		includes...
		1	Tensioner Assembly
		1	Snap Ring
		1 *	Roller
		1	Bearing
		1	Washer, Thrust
		1	Tensioner Weldment
		1	Spring
		1	Shaft Tensioner
		1	Nut, .375-16
10	CL335066	1	Chain, .375 Pitch
11	CW172104	1	Shaft, Roller Housing
12	C550357	1	Gasket, Motor
13	M903028	1	Set Screw (10-32)
14	CL43259	1	Motor Assembly
15	CL674096	1	Connector
16	CL673228	1	Conduit, Flexible
17	CL675096	1	Connector
18	B1078046	4	Screw, Hex Head
19	B1003066	5	Lock Washer
20	CL54108	2	Washer, Thrust
21	CL656108	1	Bearing
22	B1603046	2	Cap Screw, Hex Head
23	CM722108	4	Washer
24 *	CU541950W	1	Sprocket Assembly With Bearings

Item No.	Part Number	No. Req'd	Description
25	CL53107	2	Bearing
26	CL12108	1	Washer
27	B1534046	1	Cap Screw, Hex Head
28	CL334066	1	Chain, .625 Pitch
29 *	CU542950K	1	Sprocket Assembly With Bearings
30	CL670107	2	Bearing
31	CU674104	1	Shaft, Shoe
32	CL323001	1	Housing, Sprocket
33	CL309104	1	Shaft, Sprocket
34 *	CL667950KW	1	Sprocket Assembly With Bearings
35	CL53107	2	Bearing
36	CL224028	1	Stop Screw
37	CL669101	1	Locking Plate
38	B1485046	1	Cap Screw, Hex Head
39	B1002066	1	Lock Washer
40	B1092108	1	Washer
41	CL311019	1	Pulley, 10 Groove
42	DA6153006	1	Connector (Body 40)
43	CM2.006	1	Terminal, Female
44	CM33006	1	Connector (M-1)
45	CM28006	1	Terminal, Female
46	CM799028	1	Setscrew
47	CU675108	2	Washer
48	CL714980	1	Bushing

*** These items come with bearings installed.**

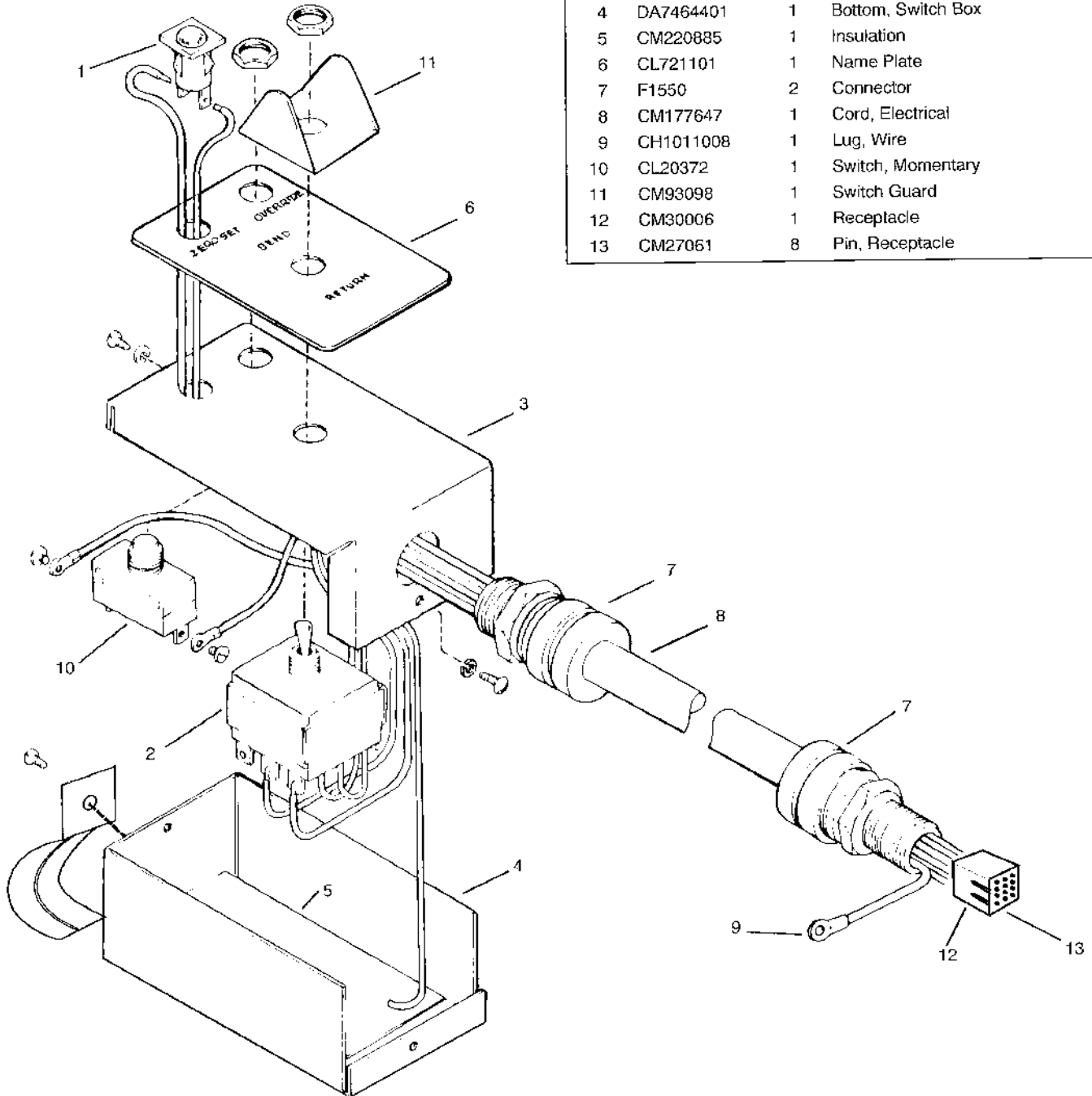
Figure 7
Handle and Control Circuit Assembly – DA7040900



Item No.	Part Number	No. Req'd	Description
DA7040900 INCLUDES:			
4	CJ458885	2	Locknut
5	CM178647	1	Plug Assembly
6	CM32006	1	Receptacle, Power Cord
7	CM25061	2	Pin, Cord Receptacle
8	CN982900W	1	Pendant Station Assm (Fig.8)
9	CW401028	6	Capscrew
10	DA6152006	1	Receptacle, Pendant
11	CM27061	8	Pin, Receptacle
12	DA6987026	1	Decal, High Voltage
13	DA6988026	1	Decal, Low Voltage
	BMK3	1	Relay Ctrl Circuit Assm (Fig.9) Includes: 15, 14, 9
15	DA7041900	1	Handle Assembly
16	DA7046900	1	Wire, Jumper
17	F1550	2	Grip, Cord
18	M231108	1	Lockwasher

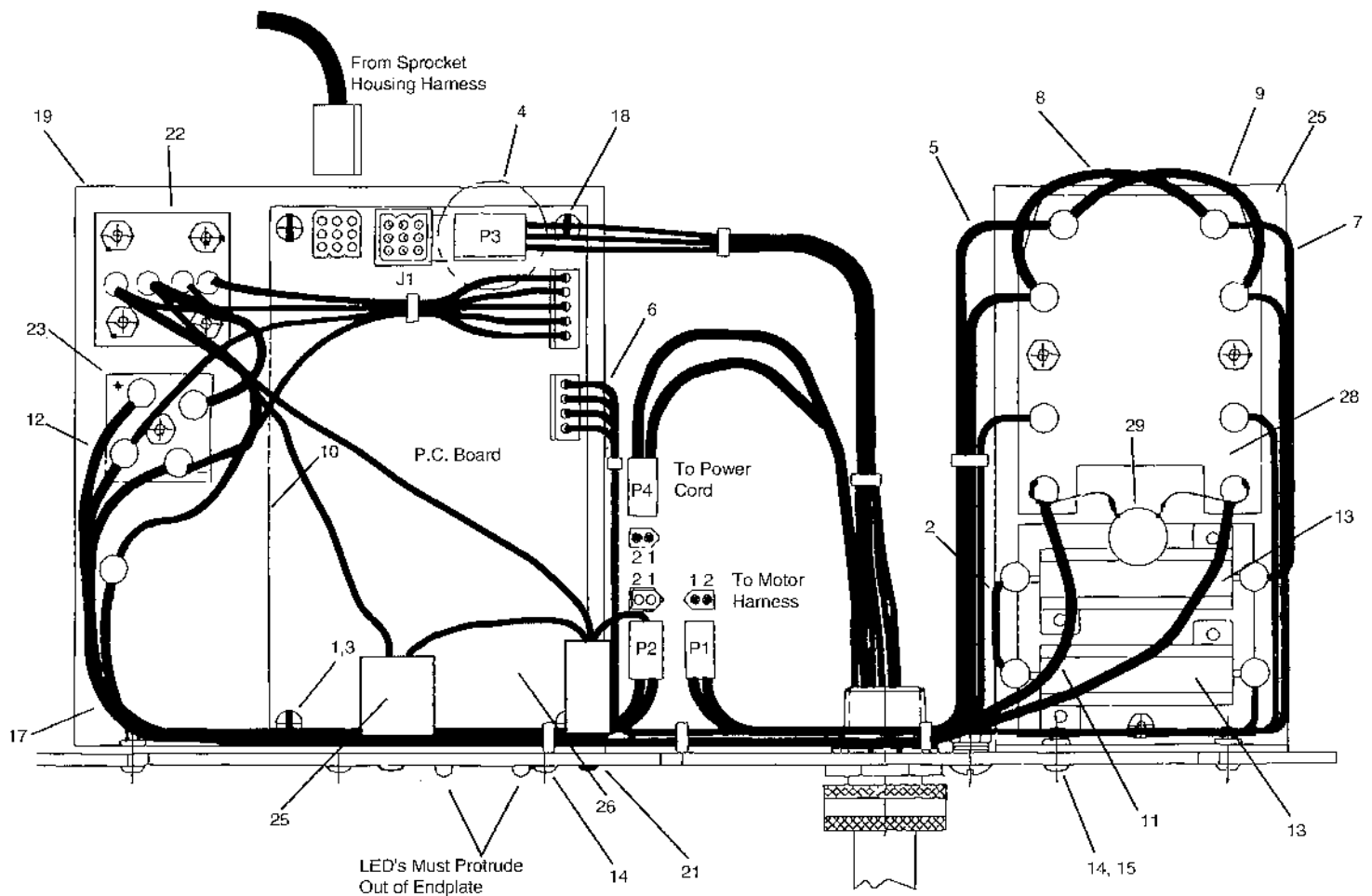
Item 4 is packed with Item 5 loose.
Item 7 is packed with item 9 loose.
Instructions provided for assembling loose connectors.

Figure 8
Pendant Station Assembly – CN982900W



Item No.	Part Number	No. Req'd	Description
CN982900W INCLUDES:			
1	CN995376	1	Lamp Assembly
2	CL719980	1	Switch, Toggle
3	DA7465401	1	Top, Switch Box
4	DA7464401	1	Bottom, Switch Box
5	CM220885	1	Insulation
6	CL721101	1	Name Plate
7	F1550	2	Connector
8	CM177647	1	Cord, Electrical
9	CH1011008	1	Lug, Wire
10	CL20372	1	Switch, Momentary
11	CM93098	1	Switch Guard
12	CM30006	1	Receptacle
13	CM27061	8	Pin, Receptacle

Figure 9
Relay Control Circuit Assembly – BMK3



Item No.	Part Number	No. Req'd	Description
BMK3 INCLUDES:			
1	B1062066	4	Lockwasher, No.6
2	B2003455	1	Wire (Pink)
3	BC1304728	4	Screw, Phillips Head
4	DA6990900	1	Harness, Wire
5	DA6991900	1	Harness, Wire
6	DA6992900	1	Harness, Wire
7	Not Sold Separately	1	Wire Assembly (Tan)
8	Not Sold Separately	1	Wire Assembly (Red)
9	Not Sold Separately	1	Wire Assembly (Black)
10	Not Sold Separately	1	Wire Assembly (Black)
11	Not Sold Separately	1	Wire Assembly (Red)
12	Not Sold Separately	1	Wire Assembly (Black)
13	DA7005380	2	Resistor
14	DA7008128	4	Screw, Trd. Forming
15	DA7010111	1	Bracket, Resistor Mounting (R.H.)

Item No.	Part Number	No. Req'd	Description
16	DA7012380	4	Spacer, Bracket
17	DA7013111	1	Bracket, PC Mounting (R.H.)
18	DA7024111	1	Mounting Bracket (L.H.)
19	E1300000	1	Relay, Power
20	E1600002	1	Varistor
21	BZK5102	1	Circuit Breaker
22	BZK5100	1	SCR Module
23	E500000	1	Bridge Rectifier, 25 Amp
24	F75021	5	Locknut
25	BZK5103	1	On/Off Switch
26	BZK5101	1	Printed Circuit Board