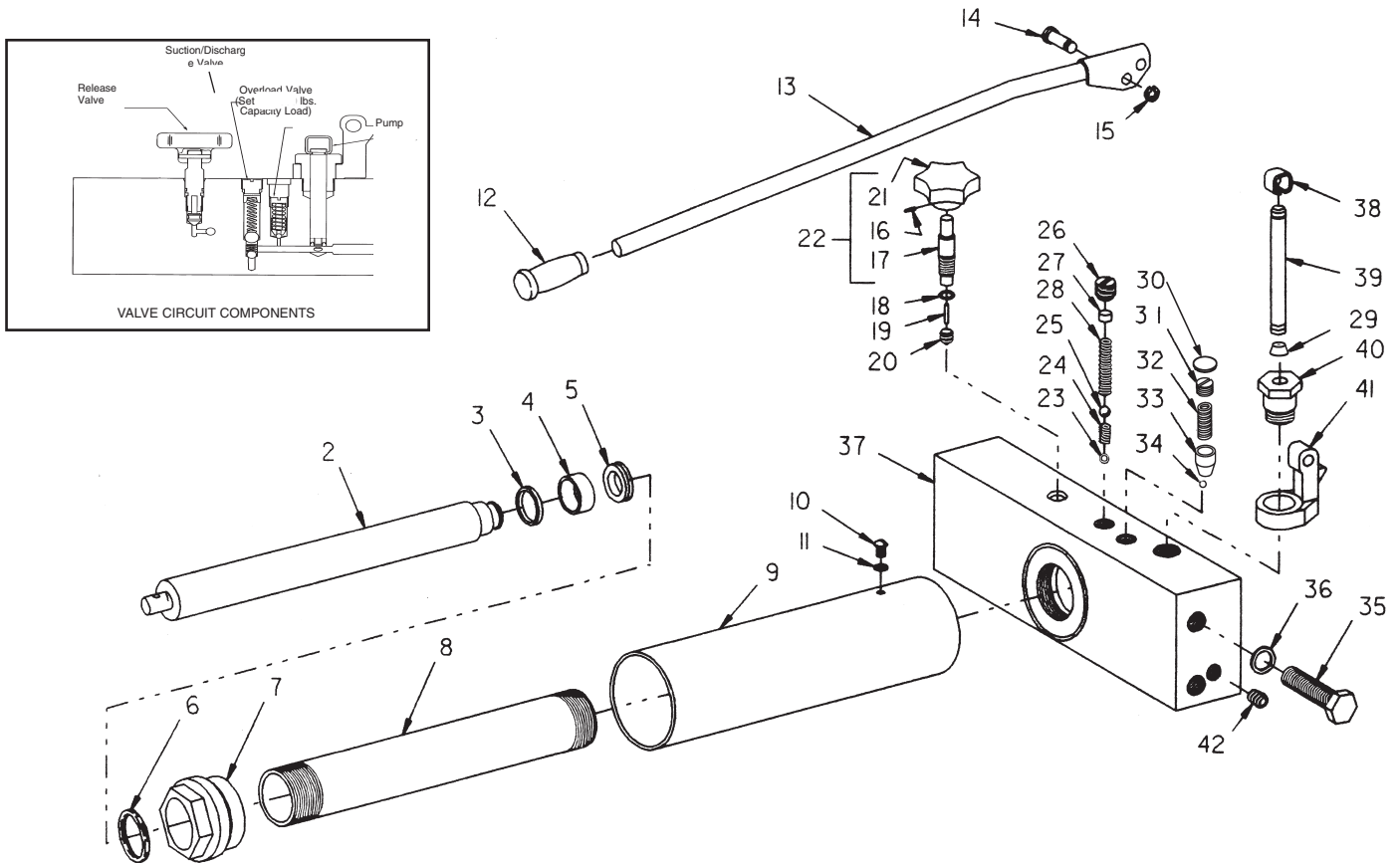


1 TON TRANSMISSION JACK - SERIES D

ITEM NO.	PART CODE	DESCRIPTION	QTY. REQUIRED	ITEM NO.	PART CODE	DESCRIPTION	QTY. REQUIRED
2	245582	Ram	1	23	H0267500*	Ball	1
3	224867*	Back-Up Washer	1	24	H0218500*	Spring	1
4	224760*	Heel Plate	1	25	H0301000*	Ball	1
5	227919*	'U' Cup	1	26	H1185500	Valve Plug	1
6	221748*	Quad Ring	1	27	H1152000*	Valve Seal	1
7	245586	Tank Nut	1	28	H2383500*	Spring	1
8	245583	Cylinder	1	29	H0391000*	U-Cup	1
9	H6599200	Oil Tank	1	30	201733	Expansion Plug	1
10	H6014100	Filler Screw	1	31	226373	Adjusting Screw	1
11	200003*	Washer	1	32	226375	Spring	1
12	H0933000	Handle Grip	1	33	226376	Spring Cup	1
13	245828	Handle Assembly	1	34	203196	Ball	1
14	220021	Pin	2	35	245845	Bolt	4
15	220018	Retaining Ring	2	36	H0218000	Lock Washer	4
16	217898	Roll Pin	1	37	261172	Unit Block	1
17	233920	Release Stem	1	38	209910	Piston Clip	1
18	216143*	'O' Ring	1	39	248908	Pump	1
19	233917*	Plastic Spring	1	40	248909	Pump Guide	1
20	212227*	Release Valve	1	41	245546	Socket Bracket	1
21	233977	Knob	1	42	210311	Pipe Plug	1
22	234005	Release Stem Ass'y	1	43	245892	Repair Kit	-
				44	261169	Hyd. Unit w/o Hdl.	-

\* Denotes Parts in Repair Kit No. 245892



Clore Automotive  
 8600 NE Underground Drive, Pillar 248  
 Kansas City, MO 64161  
 Customer Service: 1-800-328-2921

Revision C

SECTION 4  
 TRANSMISSION JACKS

ITEM NO.	PART CODE	DESCRIPTION	QTY. REQUIRED	ITEM NO.	PART CODE	DESCRIPTION	QTY. REQUIRED
1*	H0763000	Adj. Angle Assembly	2	26	H6661600	Lift Arm Assembly	1
2*	H2224000	Adj. Stud Bracket	2	28	245012	Wedge	4
3*	H5579300	Washer	6	29	H2220500	Adj. Trans. Plate L.H.	1
4*	H2672500	Hex Hd. Cap Screw	6	30	H2223000	Adj. Trans. Plate R.H.	1
5*	H2221000	Yoke Clamp	2	31	H2535900	Bolt	8
6*	H2524000	Washer	4	32	H1103000	Washer	8
7*	H2609500	Hex Nut	4	33	H2533500	Hex Nut	8
8*	H2207000	Adj. Yoke Rod	2	34	203301	Jam Nut	4
9*	H2218500	Adj. Yoke Bracket	1	35	H0249000	Bearings	4
10*	H2222500	Adjusting Screw	4	36	245395	Caster Assembly	4
11	H6662100	Chain Assembly	1	37	H6661800	Frame Assembly	1
12	H2205500	Saddle	1	38	H6599300	Parallel Link Spacer	1
13	H2176000	Retaining Ring	1	39	H2544500	Hex Jam Nut	2
14	H2213500	Pin-Side Pivot	1	40	H2608400	Cotter Pin	1
15	H2205000	Saddle Holder	1	41	H2680600	Slotted Hex Nut	1
16	H1896000	Hex Jam Nuts	2	42	H5579500	.063 Thick Washers	4
17	H6597900	Thrust Bearing	2	43	H2214500	Pin-Side Anchor	1
18	H6599700	Pin-Forward Tilt	1	44	H6599600	Pin-Side Tilt	1
19	H5579600	Washer	2	45	H0762000	Adj. Screw Asmbly. Side Tilt	1
20	H2176000	Retaining Ring	2	46	H6662700	Rivet	1
21	H2215500	Pin-Forward Tilt	1	47	H6598900	Main Pivot Pin	1
22	H6660700	Adj. Screw Asmbly.	1	48	H1308500	Retaining Ring	2
		Forward Tilt	1	49	H0975000	Grease Fitting	1
23	H2176000	Retaining Ring	2	50	H6665200	Open Eye Bolt	1
24	H2213000	Saddle Pivot Pin	1	51	H2524500	Washer	1
25	H2216000	Saddle Links	2	52	H6665300	Wing Nut	1

\* Denotes Optional Items Included in Attachment Kit # W93249

