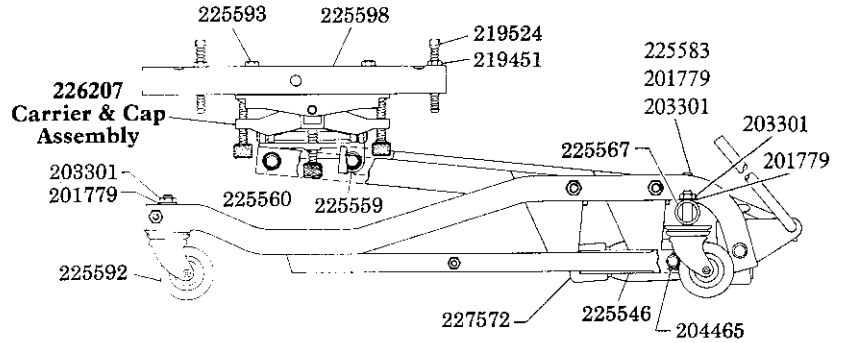
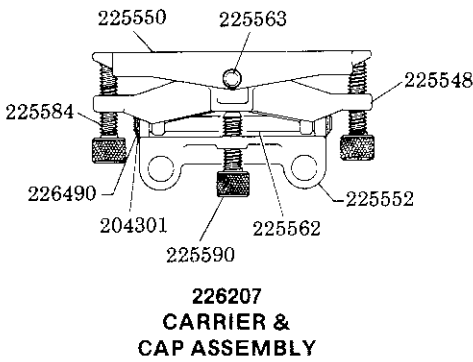
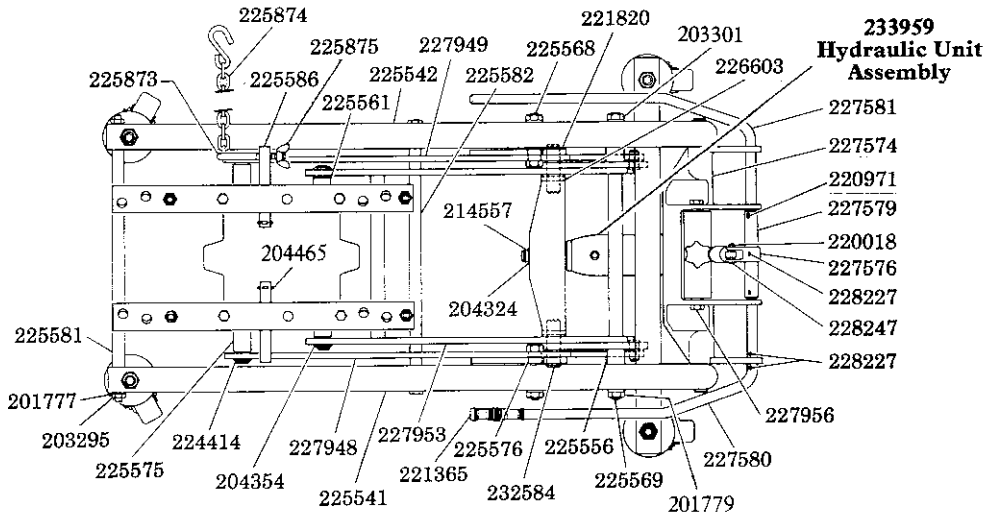


# HYDRAULIC TRANSMISSION JACK

1 TON CAPACITY

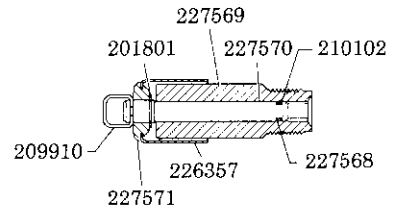
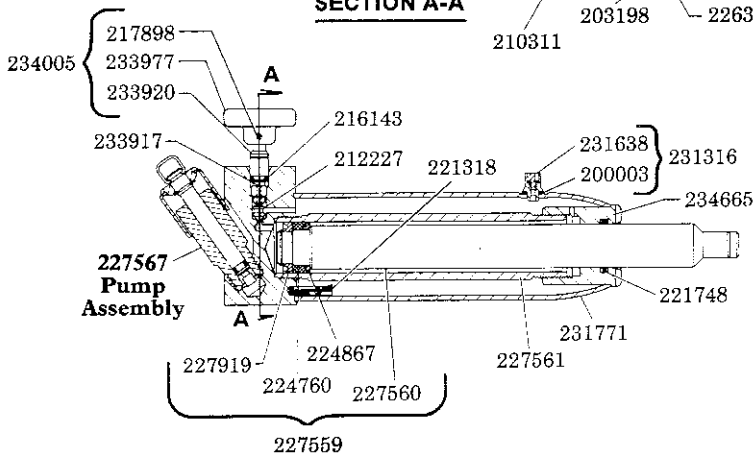
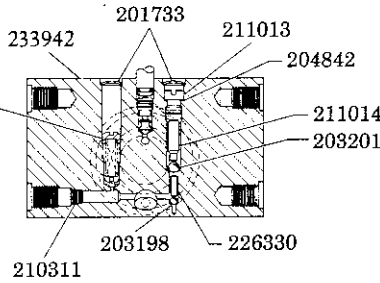
# Models 91-717, 93717 YA-717

## Series "C"



**233959  
HYDRAULIC UNIT  
ASSEMBLY**

Safety valve is factory pre-set. If adjustment or repair is required, return jack to nearest service depot.



**227567  
PUMP ASSEMBLY**

MODEL	LABEL KIT NO.	REPAIR KIT NO.
91-717	240117	91-321
93717	240118	240518
YA-717	240119	240518

**LINCOLN ST. LOUIS**  
4010 GOODFELLOW BLVD. • ST. LOUIS, MO. 63120 • (314) 679-4200



SECTION - **W3**  
PAGE - **5A**

## TROUBLESHOOTING

PROBLEM	SOLUTION
1) Oil leaking thru filler plug:	The reservoir could be overfilled- Plug is designed with an automatic ventilator valve which allows excessive air or oil to escape.
1) Handle raises under load. 2) Handle lowers under load. 3) Will not lift load. 4) Will not hold load.	The valves might not be closing- Lower the lifting arm and close the release valve. Place one foot on a front wheel and raise the lifting arm to its full height by hand. Open the release valve to lower the lifting arm. The jack should now operate properly.
1) Will not lift load. 2) Will not lift full height. 3) Pump feels "Spongy" under load.	The jack could be low on oil- Remove the filler plug and fill reservoir with clean hydraulic jack oil.  The jack could be air bound- To purge the air from the oil lines, open the release and pump rapidly a few strokes. Close release and pump to full height, then open the release to allow the jack to descend rapidly.

If the above procedures do not correct the problem, contact your nearest service depot. When submitting any jack or equipment to be repaired, be sure to state the nature of the problem and indicate whether an estimate of the repair cost is needed.

**IMPORTANT:** As with any hydraulic unit, this unit may occasionally become "air bound" due to being tipped over during shipment. To purge the air from the lines, open the release and pump rapidly a few strokes. Close release and pump to full height, then open the release to allow the ram to descend rapidly. If the pump still seems "spongy", repeat the procedure.

Low Pickup Height	High Lifting Point	Lifting Head Size (Sq.)	Caster Wheel Diameter	Overall Length	Overall Width	Overall Height	Forward Tilt	Rearward Tilt	Sideways Tilt
10"	36"	10"	4"	50-1/4"	29-1/2"	10"	10°	10°	10°

## SERVICE PARTS

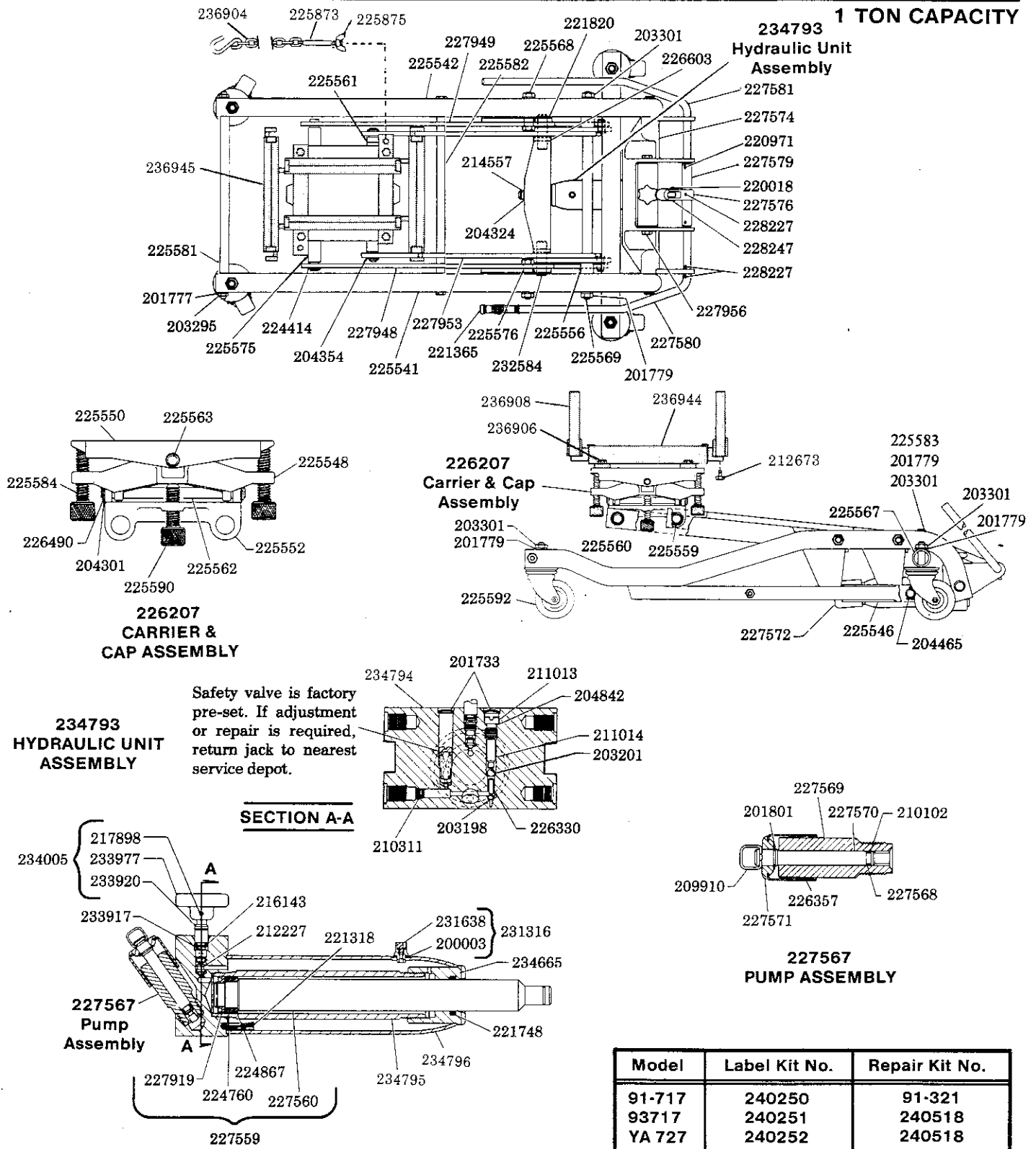
PART	QUAN.	DESCRIPTION	PART	QUAN.	DESCRIPTION	PART	QUAN.	DESCRIPTION
*200003	1	Gasket	225541	1	Side frame - L.H.	227559	1	Ram assembly
201733	2	Expansion plug	225542	1	Side frame - R.H.	227560	1	Ram
201777	4	Lockwasher	225546	2	Pull link	227561	1	Cylinder
201779	10	Lockwasher	225548	1	Carrier	227567	1	Pump assembly
201801	1	Retaining ring	225550	1	Cap adapter	*227568	1	Washer
*203198	1	Ball	225552	1	Carrier base	227569	1	Cylinder
*203201	1	Ball	225556	2	Sleeve	227570	1	Piston
203295	4	Nut	225559	1	Shaft	*227571	1	Grommet
203301	10	Nut	225560	1	Shaft	227572	1	Yoke
204301	4	Washer	225561	2	Sleeve	227574	1	Cross head
204324	1	Washer	225562	1	Shaft	227576	1	Handle socket
204354	4	Washer	225563	1	Shaft	227579	1	Tube
†204465	4	Cotter pin	225567	1	Cross member	227580	1	Handle - L.H.
*204842	1	Gasket	225568	2	Bolt	227581	1	Handle - R.H.
209910	1	Pump clip	225569	1	Spacer shaft	*227919	1	U-cup packing
*210102	1	O-ring	225575	2	Sleeve	227948	1	Front lifting beam - L.H.
210311	1	Pipe plug	225576	2	Sleeve	227949	1	Front lifting beam - R.H.
211013	1	Plug	225581	1	Spacer	227953	1	Rear lifting beam
211014	1	Spacer	225582	1	Rod	227956	4	Bolt
212227	1	Release valve	225583	2	Pin	228227	3	Groove pin
214557	1	Retaining ring	225584	2	Pitch screw	228247	1	Pin
*216143	1	O-ring	†225586	2	Pin	231316	1	Plug & gasket ass'y.
217898	1	Roll pin	225590	2	Tilt screw	231638	1	Filler plug & vent valve
†219451	4	Nut	225592	4	Caster	231771	1	Oil tank
†219524	4	Stud	†225593	4	Bolt	232584	2	Pin
220018	1	Retaining ring	†225598	2	Adapter tube	*233917	1	Spring
220971	2	Groove pin	†225873	1	Eyebolt	233920	1	Release stem
*221318	1	Screen	†225874	1	Chain & hook assembly	233942	1	Unit block
221365	2	Handle grip	†225875	1	Wing nut	233959	1	Hydraulic unit ass'y.
*221748	1	Quad ring	226207	1	Carrier & cap assembly	233977	1	Hand knob
221820	2	Retaining ring	226330	1	Spacer	234005	1	Release stem assembly
224414	4	Retaining ring	226357	1	Pump sleeve	234665	1	Tank nut
*224760	1	Heel plate	226490	4	Retaining ring			
224867	1	Washer	226603	3	Roll pin			

\*Included in 240518 & 91-321 Repair Kit for 233959 Hydraulic Unit Assembly.

†Included in 227428 Head Assembly Replacement Kit.

Replaces Series D Drawing

1 TON CAPACITY



## TROUBLESHOOTING

Problem	Solution
1) Oil leaking thru filler plug.	The reservoir could be overfilled- Plug is designed with an automatic ventilator valve which allows excessive air or oil to escape.
1) Handle raises under load. 2) Handle lowers under load. 3) Will not lift load. 4) Will not hold load.	The valves might not be closing- Lower the lifting arm and close the release valve. Place one foot on a front wheel and raise the lifting arm to its full height by hand. Open the release valve to lower the lifting arm. The jack should now operate properly.
1) Will not lift load. 2) Will not lift full height. 3) Pump feels "Spongy" under load.	The jack could be low on oil- Remove the filler plug and fill reservoir with clean hydraulic jack oil.  The jack could be air bound- To purge the air from the oil lines, open the release and pump rapidly a few strokes. Close release and pump to full height, then open the release to allow the jack to descend rapidly.

If the above procedures do not correct the problem, contact your nearest service center. When submitting any jack or equipment to be repaired, be sure to state the nature of the problem and indicate whether an estimate of the repair cost is needed.

**IMPORTANT:** As with any hydraulic unit, this unit may occasionally become "air bound" due to being tipped over during shipment. To purge the air from the lines, open the release and pump rapidly a few strokes. Close release and pump to full height, then open the release to allow the ram to descend rapidly. If the pump still seems "spongy", repeat the procedure.

Low Pickup Height	High Lifting Point	Lifting Head Size (Sq.)	Caster Wheel Diameter	Overall Length	Overall Width	Overall Height	Forward Tilt	Rearward Tilt	Sideways Tilt
10½"	36¾"	10"	4"	50-1/4"	29-1/2"	10½"	10°	10°	10°

## SERVICE PARTS

Part	Qty.	Description	Part	Qty.	Description	Part	Qty.	Description
*200003	1	Gasket	225546	2	Pull link	*227571	1	Grommet
201733	2	Expansion plug	225548	1	Carrier	227572	1	Yoke
201777	4	Lockwasher	225550	1	Cap adapter	227574	1	Cross head
201779	10	Lockwasher	225552	1	Carrier base	227576	1	Handle socket
201801	1	Retaining ring	225556	2	Sleeve	227579	1	Tube
*203198	1	Ball	225559	1	Shaft	227580	1	Handle - L.H.
*203201	1	Ball	225560	1	Shaft	227581	1	Handle - R.H.
203295	4	Nut	225561	2	Sleeve	*227919	1	U-cup packing
203301	10	Nut	225562	1	Shaft	227948	1	Front lifting beam - L.H.
204301	4	Washer	225563	1	Shaft	227949	1	Front lifting beam - R.H.
204324	1	Washer	225567	1	Cross member	227953	1	Rear lifting beam
204354	4	Washer	225568	2	Bolt	227956	4	Bolt
*204842	1	Gasket	225569	1	Spacer shaft	228227	3	Groove pin
209910	1	Pump clip	225575	2	Sleeve	228247	1	Pin
*210102	1	O-ring	225576	2	Sleeve	231316	1	Plug & gasket ass'y.
210311	1	Pipe plug	225581	1	Spacer	231638	1	Filler plug & vent valve
211013	1	Plug	225582	1	Rod	232584	2	Pin
211014	1	Spacer	225583	2	Pin	*233917	1	Spring
212227	1	Release valve	225584	2	Pitch screw	233920	1	Release stem
212673	6	Locking bolt	225590	2	Tilt screw	233977	1	Hand knob
214557	1	Retaining ring	225592	4	Caster	234005	1	Release stem assembly
*216143	1	O-ring	†225873	1	Eyebolt	234665	1	Tank nut
217898	1	Roll pin	†225875	1	Wing nut	234793	1	Hydraulic unit ass'y.
220018	1	Retaining ring	226207	1	Carrier & cap assembly	234794	1	Unit block
220971	2	Groove pin	226330	1	Spacer	234795	1	Cylinder
*221318	1	Screen	226357	1	Pump sleeve	234796	1	Oil tank
221365	2	Handle grip	226490	4	Retaining ring	†236904	1	Chain & hook assembly
*221748	1	Quad ring	226603	3	Roll pin	†236906	4	Bolt
221820	2	Retaining ring	227559	1	Ram assembly	†236908	4	Adapter arm
224414	4	Retaining ring	227560	1	Ram	†236944	1	Adapter base
*224760	1	Heel plate	227567	1	Pump assembly	†236945	2	Adapter extension
224867	1	Washer	*227568	1	Washer			
225541	1	Side frame - L.H.	227569	1	Cylinder			
225542	1	Side frame - R.H.	227570	1	Piston			

\*Included in 240518 & 91-321 Repair Kit for 234793 Hydraulic Unit Assembly.

† Included in 929503 Head Assembly Replacement Kit.