

# HYDRAULIC TRANSMISSION JACK

1/4 TON CAPACITY

Models 91-714  
93714, YA714

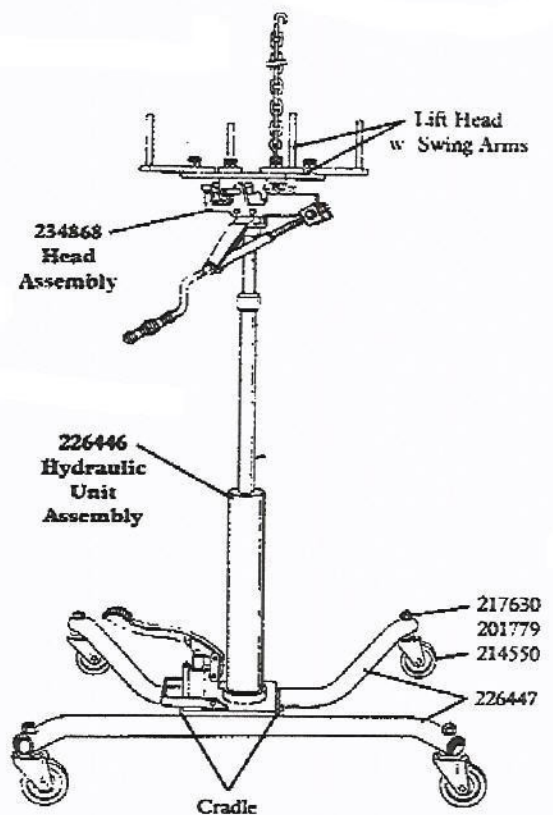
Series "D"

MODEL	LABEL KIT NO.	REPAIR KIT NO.
91-714	240123	91-393
93714	240124	240520
YA714	240125	240520

## SPECIFICATIONS

Low Pickup Height	High Lifting Point	Lifting Head Size (Max.)	Chassis Length	Chassis Width
39"	78"	15-1 2" Sq.	38"	38"

Caster Wheel Diameter	Forward Tilt	Rearward Tilt	Sideways Tilt
4"	80°	18°	10° R & L



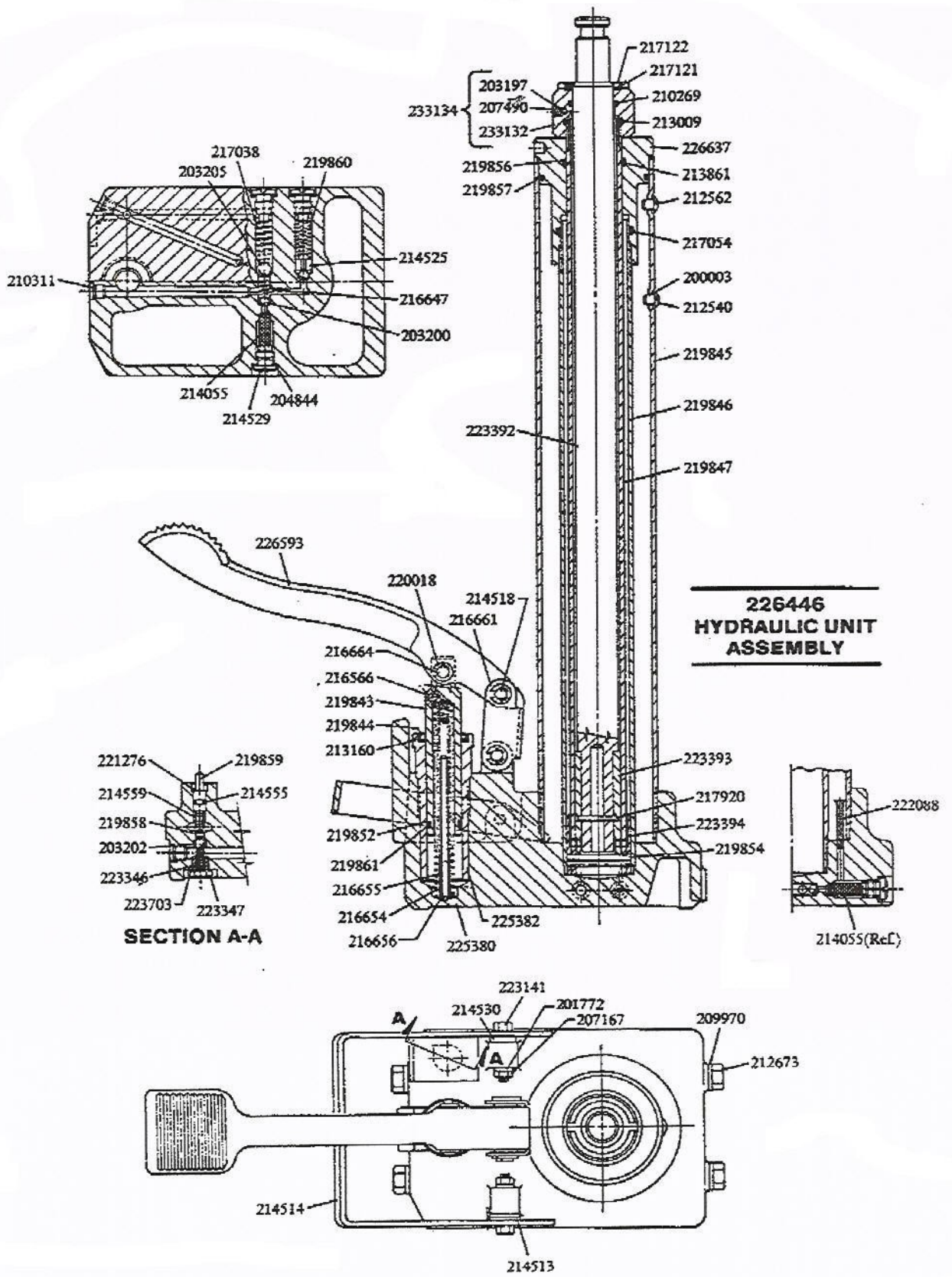
## ASSEMBLY INSTRUCTIONS

- 1) Assemble casters to leg assembly using nuts and lockwashers provided. Leg assembly is upright when cradle in center of leg assembly is lower than ends of legs.
- 2) Assemble hydraulic unit to cradle at center of leg assembly with four cap screws and lockwashers from base of hydraulic unit.  
NOTE: The hydraulic unit must be centrally located between the wheels. If it is off center, lift unit from cradle and rotate it 1/2 turn then return unit to cradle.
- 3) Remove envelope wired to head assembly then place head assembly on top of ram. Insert groove pin from envelope in hole from which wire was removed. Drive pin in until it is flush with surface.
- 4) Place lift head with swing arms on top of head assembly and fasten securely with four flat head screws.
- 5) Loosen the uppermost screw on the side of the hydraulic unit. (This is an air vent for the oil reservoir and must be loose or jack will not function properly.)  
NOTE: Filler screw is directly below the air vent. Oil level should be maintained to the edge of this hole when rams are in the down position.

## TO PREPARE JACK FOR USE

This unit may occasionally become air bound due to being tipped over during shipping. Trapped air should be purged from both the pump and the ram to insure proper operation.

- 1) To purge air from pump, remove pipe plug from top of the pump piston (directly below foot pedal). Add clean hydraulic jack oil through pipe plug hole until it overflows, then replace pipe plug. Pump is now free of air.
- 2) Pump foot pedal until rams are fully extended. In this position if pedal feels solid the jack is ready for use. If pedal is "spongy", leave the rams fully extended and loosen (do not remove) pipe plug in collar at top of lower ram. When oil starts leaking past the plug, tighten it and check pedal for solid feel as before.
- 3) Step on the release lever to lower ram.





## TROUBLESHOOTING

PROBLEM	SOLUTION
1) Will not lift full height.	Air vent could be closed - Loosen the air vent screw as described in Item 5 of Assembly Instructions.
1) Will not lift load. 2) Will not lift full height. 3) Pump feels "spongy" under load.	The jack could be low on oil - Remove the filler screw and fill the reservoir with clean HYDRAULIC JACK OIL.  The jack could be air bound - See front page, To Prepare Jack For Use.
1) Will not lift load. 2) Will not hold load.	The valves might not be closing - Stand on the legs of the jack to hold it steady, then grasp the lifting head and pull upward extending the rams. Step on the release lever to lower the rams. The jack should now operate properly.

## SERVICE PARTS

PART	QUAN.	DESCRIPTION	PART	QUAN.	DESCRIPTION	PART	QUAN.	DESCRIPTION
*200003	2	Gasket	214550	4	Caster	221002	1	Heeling screw nut & links
201772	2	Lockwasher	*214555	1	O-ring	221276	1	Roll pin
201779	4	Lockwasher	214559	1	Spring	221365	1	Hand grip
203197	1	Ball	214561	1	Pin	222088	1	Screen
*203200	2	Ball	216566	1	Pipe plug	223141	2	Bolt
*203202	1	Ball	216647	1	Spring	223346	1	Spring
*203205	1	Ball	216654	1	Spring	223347	1	Plug
204270	3	Washer	216655	1	Spring	223392	1	Ram
204303	2	Washer	216656	1	Pin	223393	1	Guide
204428	1	Cotter pin	216661	1	Pump link	223394	1	Ram guide
204446	4	Cotter pin	216664	1	Fulcrum pin	*223703	1	Gasket
944	3	Gasket	217038	1	Spring	225380	1	Valve base
167	2	Nut	*217054	1	O-ring	225382	1	Pump cylinder
207490	1	Set screw	*217121	1	Wiper ring	226446	1	Hydraulic unit assembly
209970	6	Lockwasher	217122	1	Retainer	226447	1	Leg assembly
*210269	1	O-ring	217630	4	Nut	226571	1	Cradle
210311	3	Pipe plug	217920	1	Roll pin	226584	1	Adapter frame
212540	1	Filler screw	219843	1	Pump piston	226593	1	Foot pedal
212562	1	Vent screw	*219844	1	Pump retainer	226637	1	Tank nut
212673	4	Cap screw	219845	1	Oil tank	227026	1	Cradle & roller assembly
*213009	1	O-ring	219846	1	Ram cylinder	233032	4	Screw
*213160	1	Wiper ring	219847	1	Ram	233033	4	Swing arm
*213861	1	O-ring	*219852	1	Back-up washer	233037	4	Bolt
214055	1	Screen	219854	1	Roll pin	233132	1	Gland nut
214071	4	Roller (top)	*219856	1	Leather ring	233134	1	Gland nut assembly
214072	4	Roller (bottom)	*219857	1	O-ring	233143	1	Top plate
214469	1	Nut	219858	1	Release throttle	234853	1	Heeling screw
214473	2	Screw	219859	1	Release stem	234860	1	Lifting frame
214513	1	Spring	219860	1	Spring	234861	1	Trunnion
214514	1	Release lever	*219861	1	O-ring	234862	1	Tilting screw
214518	2	Pin	220018	3	Retaining ring	234863	1	Sleeve
214525	1	Spacer	220752	4	Pin (bottom)	234864	2	Retaining ring
214529	3	Pressure plug	220753	4	Pin (top)	234865	1	Tilting screw assembly
214530	2	Collar	220754	8	Retaining ring	234866	1	Sleeve
214537	1	Groove pin	220861	1	Chain, eyebolt & hook	234867	2	Retaining ring
214542	1	Castle nut	220865	1	Wing nut	234868	1	Head assembly

\*Included in 240520