

SOME PARTS STILL AVAILABLE

KIT # 80748

Hein-Werner

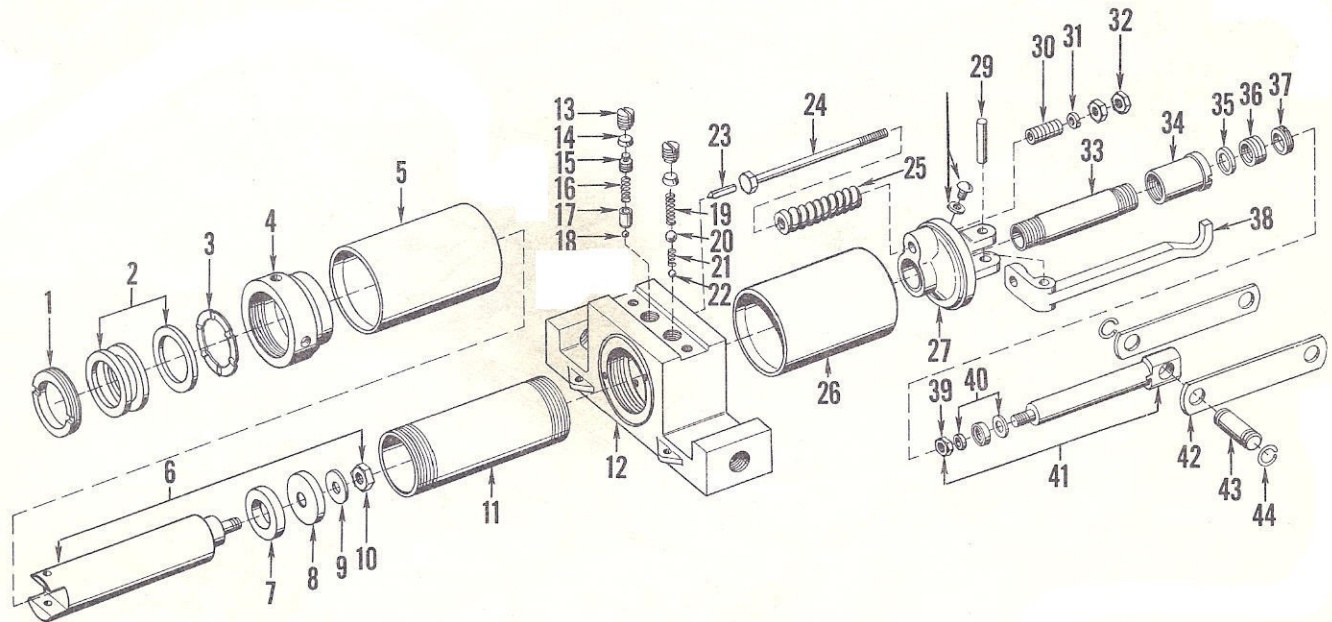
MODEL "K"

HYDRAULIC JACK REPAIR PARTS LIST

UNIT ASSEMBLY

ITEM NO.	PART NO.	DESCRIPTION	ITEM NO.	PART NO.	DESCRIPTION
1	19140	Packing Nut	23	19215	Release Valve
2	*	Ram Packing	24	80038	Release Valve Bolt Assembly
3	19145	Washer	25	18575	Spring
4	19135	End Nut	26	19120	Outside Tube
5	19125	Outside Tube	27	18560	End Cover
6	80037	Ram Complete	28	80007	Filler Screw w/washer
7	19170	Spacer	29	18425	5/16 x 1 3/8 Lg. Pin
8	*	Cup	30	18405	Release Valve Packing (Set of 7)
9	13285	Retainer	31	18440	Release Packing Nut
10	18960	1/2-20 Jam Nut	32	26545	5/16-24 Hex Nut
11	19130	Ram Cylinder	33	18580	Pump Cylinder
12	18935	Unit Body	34	18655	Packing Box
13	11855	Plug	35	18695	Packing Washer
14	*	Seal	36	*	Piston Packing (Set of 4) w/18695
15	17520	Safety Valve Screw	37	19165	Piston Packing Nut
16	16906	Spring	38	18565	Valve Lever
17	17055	Cap	39	25480	1/4-28 Hex Jam Nut
18	17220	Ball	40	*	Cup Assembly
	80127	Pump Valves	41	19150	Pump Piston only
19	*	Spring	42	19155	Pump Link, Set of 2
20	*	Ball	43	17465	Pin with clips
21	*	Spring	44	16810	Clip
22	*	Ball			

* Repair kit 80748



REV. 10-2-72

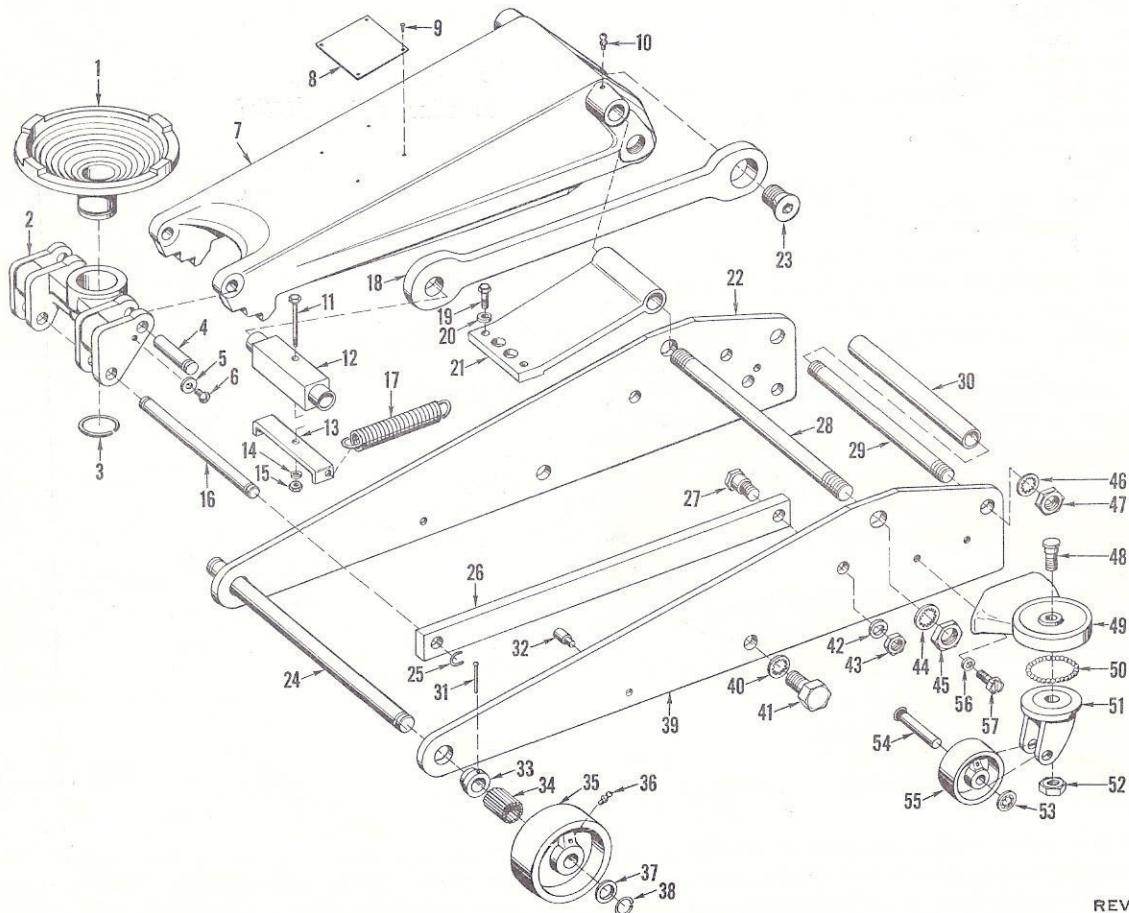
Order parts from the nearest Hein-Werner Official Service Station. Always state both model and serial number.
USE ONLY GENUINE HEIN-WERNER HYDRAULIC JACK OIL IN ANY HEIN-WERNER JACK

HEIN-WERNER CORPORATION

PRINTED IN U.S.A.

FRAME ASSEMBLY FOR MODEL "K"

ITEM NO.	PART NO.	DESCRIPTION	ITEM NO.	PART NO.	DESCRIPTION
1	19275	Saddle with 19235	30	19320	Spacer
2	19285	Saddle Holder w/2 19295	31	26040	3/16 x 1 3/8 Rd. Hd. Rivet
3	19235	Snap Ring	32	18945	Stop Stud
4	19295	Saddle Pin	33	18710	Axle Bushing
5	26655	5/16 x 3/4 Washer	34	19265	Rollers (Set of 32)
6	25620	1/4-28 x 5/16 Rd. Hd. Screw	35	10375	Front Wheel
7	80041	Lift Arm w/drag links & studs	36	9750	Alemite Fittings
8	55293	Nameplate	37	19195	Washers
9	14945	#6 x 1/4 Lg. Drive Screws	38	18610	Snap Ring
10	9720	Alemite Fittings	39	80362	Side Bar L. H.
11	25535	1/4-28 x 2 1/4 H. H. Cap Screw	40	2490	Lockwashers shakeproof
12	18650	Cross Pin	41	18555	Hex Hd. Cap Screw and Washer
13	18635	Spring Bar	42	26870	3/16 Lockwashers
14	25730	1/4 Lockwasher	43	26855	3/16-18 Hex Jam Nuts
15	25480	1/4-28 Reg. Hex Nut	44	2490	Lockwashers shakeproof
16	18950	Parallel Link Pin, 2-16810	45	26110	3/4-16 Light Hex Jam Nut
17	18605	Spring	46	2490	Lockwashers shakeproof
18	18640	Drag Links, Set of 2, w/cross pin & studs	47	26110	3/4-16 Light Hex Jam Nut
19	26215	3/8-16 x 1 H.H. Cap Screw		5040	Caster Assembly
20	26385	3/8 Lockwasher	48	19340	Center Stud
21	18660	Strut w/cap screws	49	19485	Caster Bracket
22	80043	Side Bar R. H.	50	2630	Ball (Set of 28)
23	18645	Drag Link Studs	51	19460	Caster Fork
24	18680	Front Axle w/snap rings & washer	52	17370	Hex Nut
25	16810	Clips	53	25447	Push Nut
26	18940	Parallel Links, J33	54	19370	Caster Axle
27	18955	Parallel Link Stud	55	19290	Caster Wheel
28	19105	Main Pin, Nuts & Washers	56	26385	3/8 Lockwasher
29	80044	Handle Pivot Pin, Spacer	57	19245	Slotted H. H. Cap Screw



REV. 10-2-72

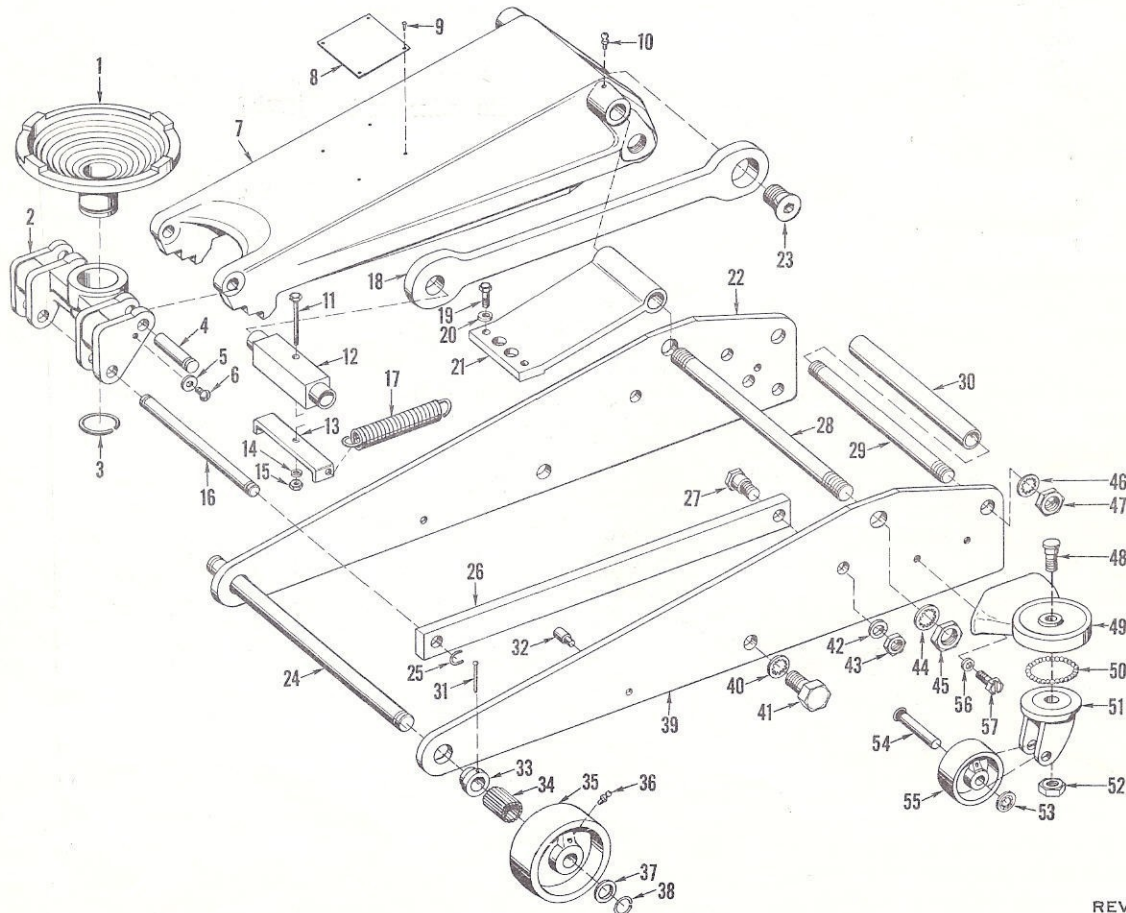
Order parts from the nearest Hein-Werner Official Service Station. Always state both model and serial number.
USE ONLY GENUINE HEIN-WERNER HYDRAULIC JACK OIL IN ANY HEIN-WERNER JACK

HEIN-WERNER CORPORATION

PRINTED IN U.S.A.

FRAME ASSEMBLY FOR MODEL "K"

ITEM NO.	PART NO.	DESCRIPTION	ITEM NO.	PART NO.	DESCRIPTION
1	19275	Saddle with 19235	30	19320	Spacer
2	19285	Saddle Holder w/2 19295	31	26040	3/16 x 1 3/8 Rd. Hd. Rivet
3	19235	Snap Ring	32	18945	Stop Stud
4	19295	Saddle Pin	33	18710	Axle Bushing
5	26655	5/16 x 3/4 Washer	34	19265	Rollers (Set of 32)
6	25620	1/4-28 x 5/16 Rd. Hd. Screw	35	10375	Front Wheel
7	80041	Lift Arm w/drag links & studs	36	9750	Alemite Fittings
8	55293	Nameplate	37	19195	Washers
9	14945	#6 x 1/4 Lg. Drive Screws	38	18610	Snap Ring
10	9720	Alemite Fittings	39	80362	Side Bar L. H.
11	25535	1/4-28 x 2 1/4 H. H. Cap Screw	40	2490	Lockwashers shakeproof
12	18650	Cross Pin	41	18555	Hex Hd. Cap Screw and Washer
13	18635	Spring Bar	42	26870	3/16 Lockwashers
14	25730	1/4 Lockwasher	43	26855	3/16-18 Hex Jam Nuts
15	25480	1/4-28 Reg. Hex Nut	44	2490	Lockwashers shakeproof
16	18950	Parallel Link Pin, 2-16810	45	26110	3/4-16 Light Hex Jam Nut
17	18605	Spring	46	2490	Lockwashers shakeproof
18	18640	Drag Links, Set of 2, w/cross pin & studs	47	26110	3/4-16 Light Hex Jam Nut
19	26215	3/8-16 x 1 H.H. Cap Screw		5040	Caster Assembly
20	26385	3/8 Lockwasher	48	19340	Center Stud
21	18660	Strut w/cap screws	49	19485	Caster Bracket
22	80043	Side Bar R. H.	50	2630	Ball (Set of 28)
23	18645	Drag Link Studs	51	19460	Caster Fork
24	18680	Front Axle w/snap rings & washer	52	17370	Hex Nut
25	16810	Clips	53	25447	Push Nut
26	18940	Parallel Links, J33	54	19370	Caster Axle
27	18955	Parallel Link Stud	55	19290	Caster Wheel
28	19105	Main Pin, Nuts & Washers	56	26385	3/8 Lockwasher
29	80044	Handle Pivot Pin, Spacer	57	19245	Slotted H. H. Cap Screw



REV. 10-2-72

Order parts from the nearest Hein-Werner Official Service Station. Always state both model and serial number.

USE ONLY GENUINE HEIN-WERNER HYDRAULIC JACK OIL IN ANY HEIN-WERNER JACK

HEIN-WERNER CORPORATION

PRINTED IN U.S.A.