

HEIN-WERNER AUTOMOTIVE

INSTRUCTION MANUAL / REPAIR PARTS LIST

R-20 SERVICE JACK

20 TON (18144 Kg.) CAPACITY

MODEL H61350

WARNING

1. READ, STUDY AND UNDERSTAND ALL WARNING LABELS AND OPERATING INSTRUCTIONS FURNISHED WITH THIS EQUIPMENT PRIOR TO USE. IF YOU DO NOT UNDERSTAND THIS WARNING, CONTACT YOUR REPRESENTATIVE FOR CLARIFICATION.
2. NEVER ALLOW UNSKILLED OR IMPROPERLY TRAINED PERSONNEL TO OPERATE THIS EQUIPMENT.
3. THIS IS A LIFTING DEVICE ONLY. THE LOAD MUST BE SUPPORTED IMMEDIATELY BY OTHER APPROPRIATE MEANS. WHILE LIFTING, POSITION APPROPRIATE CAPACITY VEHICLE STANDS OR BLOCKING AND EXTEND THEM IN STAGES TO MAINTAIN A MINIMUM DISTANCE BETWEEN LOAD AND STANDS DURING LIFTING. DO NOT MOVE OR DOLLY THE VEHICLE WHILE ON THE JACK.
4. LIFT ONLY ON AREAS OF THE VEHICLE SPECIFIED BY THE MANUFACTURER. IT IS YOUR RESPONSIBILITY TO CHECK WITH THE MANUFACTURER TO BE CERTAIN THE POINT OF LOADING IS CAPABLE OF SUSTAINING THE LIFTING FORCES. DO NOT OVERLOAD. OVERLOADING CAN CAUSE DAMAGE TO OR FAILURE OF THE JACK.
5. THIS JACK IS DESIGNED FOR USE ONLY ON HARD LEVEL SURFACES CAPABLE OF SUSTAINING THE LOAD. USE ON OTHER THAN HARD LEVEL SURFACES CAN RESULT IN JACK INSTABILITY AND POSSIBLE LOSS OF LOAD.
6. CENTER LOAD ON SADDLE PRIOR TO LIFTING VEHICLE. OFF CENTER LOADS MAY CAUSE DAMAGE TO THE JACK AND/OR LOSS OF LOAD.
7. DO NOT OPEN OIL FILLER PLUG FOR ANY REASON UNLESS THE JACK IS UNLOADED AND FULLY LOWERED.
8. IT IS YOUR RESPONSIBILITY TO KEEP ALL WARNING LABELS AND INSTRUCTIONAL LITERATURE LEGIBLE AND INTACT. REPLACEMENT LABELS AND LITERATURE ARE AVAILABLE FROM THE FACTORY.
9. FAILURE TO HEED THESE WARNINGS WILL RESULT IN EQUIPMENT AND/OR PROPERTY DAMAGE AND/OR PERSONAL OR FATAL INJURY.

H3112000

OWNER'S RESPONSIBILITY

Operation. The owner and/or operator shall have an understanding of these operating instructions and warnings before operating this jack. Warning information shall be emphasized and understood. If the user is not fluent in English, the instructions and warnings shall be read to and discussed with the operator in the operator's native language by the purchaser/owner, making sure that the operator comprehends its contents.

Maintenance. This jack shall be maintained in accordance with instructions listed under "Maintenance."

Inspection

1. Visual inspection shall be made before each use of the jack, checking for leaking hydraulic fluid, and damaged, loose or missing parts.
2. Each jack shall be inspected by an authorized service center immediately, if subjected to an abnormal load or shock.
3. Owners and/or users should be aware that repair of this equipment may require specialized knowledge and facilities. It is recommended that an annual inspection

of the jack be made by an authorized service center and that any defective parts, decals or warning labels be replaced with genuine factory parts. A list of authorized service centers is available from the factory.

Damaged Jacks. Any jack which appears to be damaged in any way, is found to be badly worn, or operates abnormally SHALL BE REMOVED FROM SERVICE until necessary repairs are made by an authorized service center.

INSTRUCTIONS BEFORE USE

1. Open release valve by turning knob on top of handle counterclockwise. Pump handle six full strokes to assure proper internal lubrication, and to bleed any air from the hydraulic system. If handle is locked, lift lever on side of handle to release.
2. Squirt a small amount of hydraulic jack oil or lightweight motor oil on the pump pistons. Pump handle several times to distribute oil.
3. Thoroughly lubricate all moving parts of the jack. Raise the saddle to full height by closing release valve and pumping handle. Oil the surface of the ram as well as all moving parts in the handle and lifting mechanism. Grease all grease fittings except the large fitting on the unit body which is an air vent.

OPERATION

1. **Lifting.** Secure vehicle by blocking wheels. Close release valve by turning knob on top of handle clockwise. Dolly jack until lift saddle is centered under load and pump handle. **NOTE:** Handle can be locked in two positions for dollying, straight up and at a 45° angle. To lock handle: lift lever on side of handle, move handle to desired position and push lever in. To unlock handle for pumping: lift lever on side of handle. Handle will remain unlocked until lever is pushed in again.

WARNING

**USE JACK FOR LIFTING ONLY.
ALWAYS SUPPORT VEHICLE WITH
VEHICLE SUPPORT STANDS**

Always center the load on the saddle of your jack. Off-center loads and loads lifted while jack is not level may damage the jack or cause personal injury.

2. **Lowering.** Slowly turn release knob counterclockwise. Avoid "shock loads" created by quickly opening and closing the release knob as the load is being lowered. This may result in overloading of the hydraulic circuit and possible damage to the jack.

MAINTENANCE

1. Regularly check oil level. Use only hydraulic Jack oil in the unit of your jack. Never use alcohol or hydraulic brake fluid.

To check oil level: Jack must be at rest, saddle down. Remove filler screw and inspect oil level. Level should be just up to the filler screw.

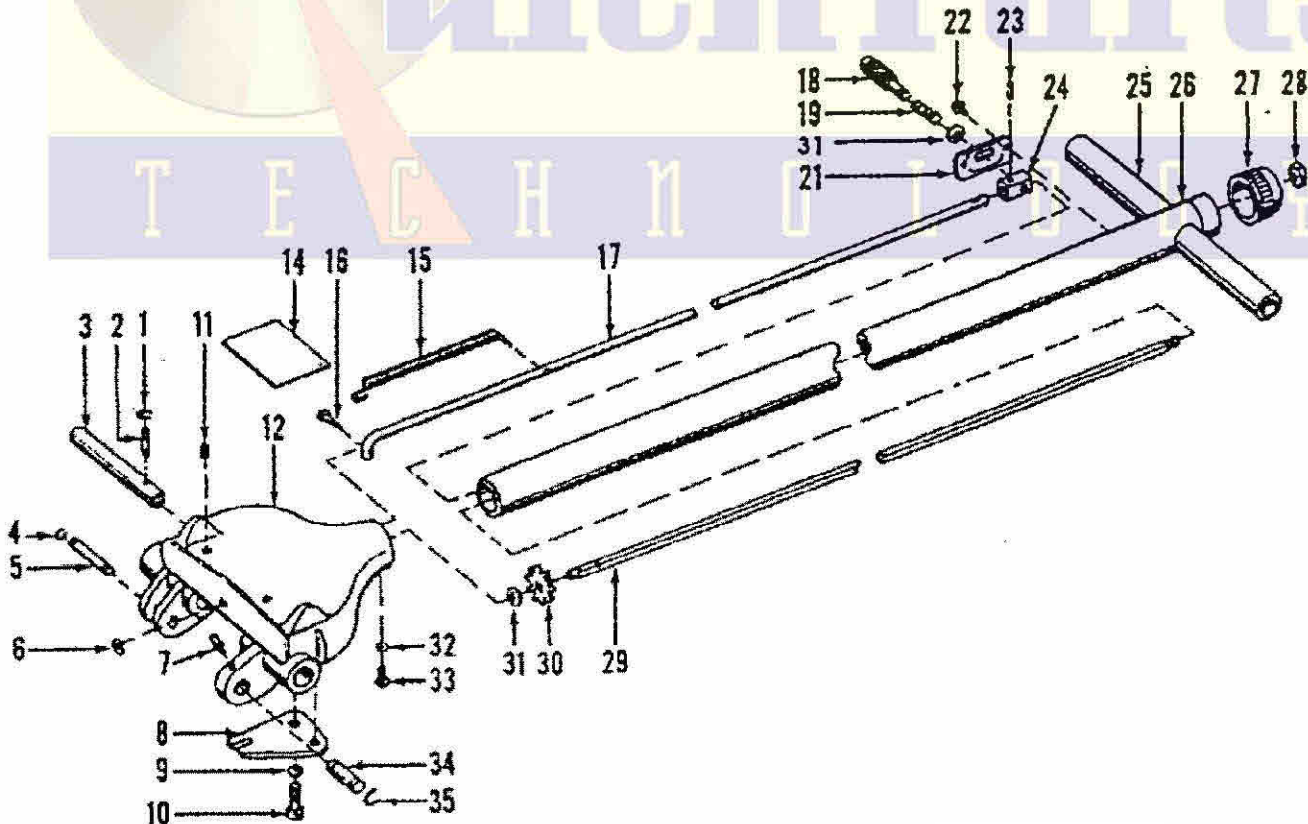
2. Keep the Jack clean and well lubricated. Raise the saddle to full height and oil the surface of the ram often, as well as all moving parts in the handle, the pump pistons and the lifting mechanism. Frequently add grease to all fittings.

NOTE: Do not add grease to air vent fitting on the unit body.

HANDLE ASSEMBLY PART CODE H0504900

ITEM NO.	PART CODE	DESCRIPTION	QTY. REQUIRED
1	H1216500	Pin Ring	1
2	H0174500	Pin	1
3	H3018800	Quadrant Lock Pin	1
4	H1241500	Pin Ring	1
5	H0928500	Pin	1
6	H2416000	Washer	1
7	H0975000	Fitting	1
8	H1745000	Quadrant Lever	1
9	H0209500	Shakerproof Lockwasher	1
10	H2618000	Screw	1
11	H2647000	Socket Head Set Screw	2
12	H3012000	Handle Fork	1
14	H6001000	Nameplate	1
15	H1781000	Control Spring	1
16	H2529000	Cotter Pin	1
17	H1817000	Quadrant Rod	1
18	H1771500	Control Knob	1

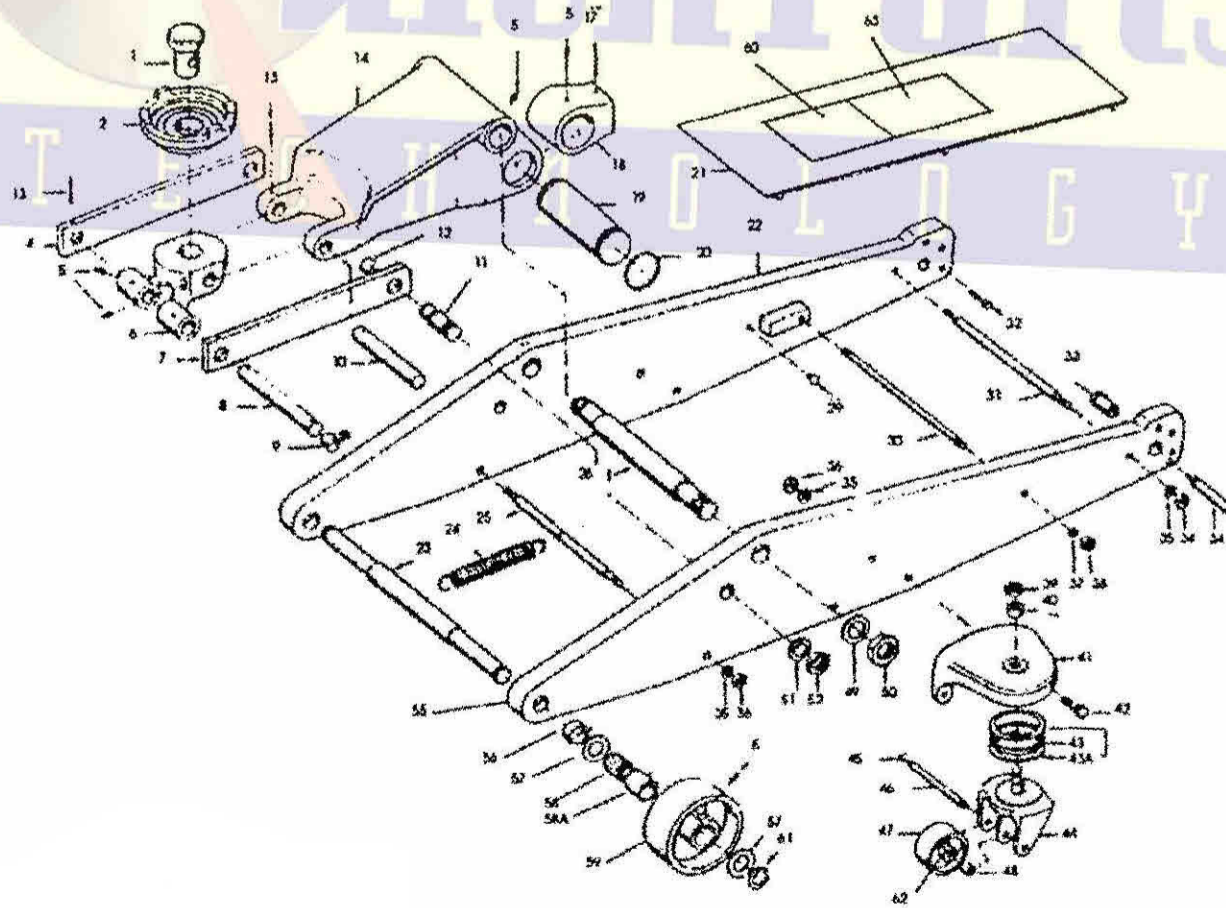
ITEM NO.	PART CODE	DESCRIPTION	QTY. REQUIRED
19	H1776500	Spring	1
21	H1743000	Latch Plate	1
22	H6015300	Screw	2
23	H1773500	Rivet	1
24	H1769000	Catch Block	1
25	H1785000	Grip Only	1
26	H0522000	Handle Pip w/ Grip	1
27	H1792000	Release Knob	1
28	H6347700	Hex Jam Nut	1
29	H1821000	Release Rod	1
30	H2362500	Release Gear	1
31	H2386500	Washers	2
32	H5556000	5/16 SAE Light Washer	1
33	H2652400	Round Head Screw	1
34	H1746500	Pin	1
35	H1681000	Pin Ring	2



CHASSIS ASSEMBLY FOR MODEL R-20

ITEM NO.	PART CODE	DESCRIPTION	QTY. REQUIRED	ITEM NO.	PART CODE	DESCRIPTION	QTY. REQUIRED
1	H3017600	Saddle Stud	1	54	H6134600	Fork Pins	2
2	H3012500	Saddle	1	35	H0218000	Shakerproof Lockwashers	10
4	H3018500	Parallel Link R. H.	1	36	H2673000	Hex Jam Nut	10
5	H0975000	Fitting	9	37	H2672900	SAE Light Lockwasher	2
6	H3013000	Saddle Holder	1	38	H2673200	Regular Hex Nut	2
7	H3020300	Parallel Link L.H.	1	39*	H1652500	Gripco Jam Nut	1
8	H3017800	Pin	1	40*	H1496000	Thrust Bearing	1
9	H2100600	Clamp	1	41*	H3011000	Caster Brackets	1
10	H3017700	Pin	1	42	H2673900	Hex Head Cap Screws	4
11	H6135600	Parallel Link Studs	2	43*	H1967800	Bearings	2
12	H1308300	Retainer Ring	2	43A*	H2174100	Bearing Races	4
13	H2615100	Roll Pin	4	44*	H3011500	Caster Forks	2
14	H3010300	Lift Arm	1	45*	H1681000	Clip	4
17	H2578100	Roll Pin	1	46*	H3017400	Caster Axle	2
18	H3010400	Yoke	1	47*	H3017500	Caster Wheels	4
19	H3018600	Connector Pin	1	48*	H1638500	Needle Bearings	4
20	H1312900	Retaining Ring	2	49	H0252000	Shakerproof Lockwasher	2
21	H6317100	Cover	1	50	H2437000	Hex Jam Nut	2
22	H6135200	R.H. Sidebar & Bush Asmly	1	51	H0251900	Shakerproof Lockwasher	2
23	H6135700	Front Axle	1	52	H2541600	Hex Jam Nut	2
24	H1794000	Pullback Spring	1	55	H6135300	L.H. Sidebar & Bush Asmly	1
25	H6136000	Tie Rod	1	56	H3019400	Front Axle Spacers	2
26	H6135800	Lift Arm Pivot Pin	1	57	H2523600	Washers	4
29	H6135400	Pin	2	58	H1844800	Bearings (includes 58A)	2
30	H6136200	Tie Rod	1	59	H3013500	Front Wheels	2
31	H6135900	Tie Rod	1	60	H3234200	Product Decal	1
32	H6135500	Quadrant Stud	1	61	H6247400	Snap Ring	2
33	H6134600	Bushing	2	62*	H0975000	Fitting	2
				63	H3112000	Warning Decal	1
				64	H6693900	Decal (logo)	2

* Included in Caster Assembly H0504700



ITEM NO.	PART CODE	DESCRIPTION	QTY. REQUIRED
1	H3016100	Packing Nut	1
2*	H3015900	Ram Packing	1
3*	H3016000	Ram Packing	1
4	H3015000	End Nut	1
5	H3019100	Reservoir Tube	1
6	H0503800	Ram Assembly	1
7	H3016200	Ram	1
8	H3014500	Piston	1
9*	H1498400	U - Cup	1
10	H1312900	Retaining Ring	1
11	H3015600	Cylinder	1
12*	H1462000	O - Ring	2
13	H3010000	Unit Body	1
14	H2593500	Allen Pipe Plug	2
15	H6014100	Filler Screw	1
16*	H0473000	Washer	1
17	H0532900	R.H. Pivot Plate Assembly	1
18	H2621500	Hex Head Cap Screw	2
19	H0209500	Shakerproof Lockwasher	2
20	H0532800	L.H. Pivot Plate Assembly	1
21*	H1528000	Spring	1
22*	H1133000	Spring	2
23*	H0301000	Ball	3
24*	H0218500	Spring	1
25*	H0267500	Ball	1
26*	H1185500	Plug	4
27*	H1152000	Seal	4
28	H1752000	Adjusting Screw	1
29	H1690600	Spring	1
30	H1705500	Spring Cap	1
31	H1722000	Ball	1
32*	H1626100	O - Ring	1
	H6261900	Hyd. Unit Compl. (not shown)	

ITEM NO.	PART CODE	DESCRIPTION	QTY. REQUIRED
33*	H1626300	Back Up Washer	1
34	H3015700	High Speed Piston	1
35	H1241500	Pin Ring	2
36	H3015100	Pin	1
37	H1484000	Roll Pin	1
38	H3015200	Pump Link	1
39	H1957500	Release Screw	1
40*	H1461000	O - Ring	1
41*	H0837500	Washer	1
42	H1958500	Release Valve Nut	1
43	H1950500	Yoke	1
44	H1602000	Spring	1
45	H2596500	Roll Pin	1
46	H2427500	Release Rod Extension	1
47	H1783500	Pin	1
48	H2367500	Release Gear	1
49	H2685500	Hex Jam Nut	1
50	H1798500	Hanger	1
51*	H1805500	High Pressure Packing	1
52	H1812500	High Pressure Packing Nut	1
53	H1806500	High Pressure Piston	1
54	H3015300	Pump Link	2
55	H0526200	Pin	1
56	H1681000	Pin Ring	1
57	H0352500	Brass Plug	1
58*	H1625900	O - Ring	2
59	H3015400	Cutout Pin	1
60	H1789000	Valve	1
61	H1803500	Spring	1
62*	H1778500	Washer	1
63	H1796000	Plug	1
64	H6276800	Suction Tube Fitting	2
65	H6280600	Synthetic Tube	2

* included in Repair Kit H8075400

