



APPLIED POWER
INC

**LIFTING
EQUIPMENT**

CATEGORY A

820-31069

PUBLICATION NO.



REPAIR PARTS LIST
FOR
HYDRAULIC SERVICE JACK

BRAND NAME

CAPACITY

MODEL NUMBER

BLACKHAWK

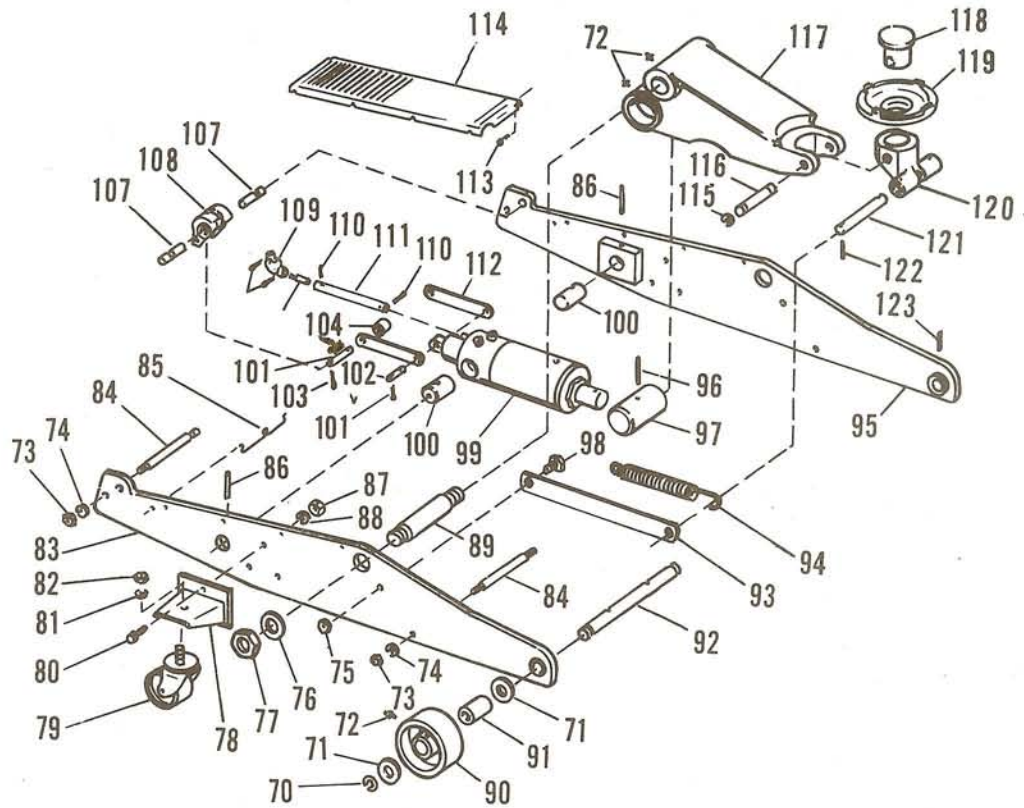
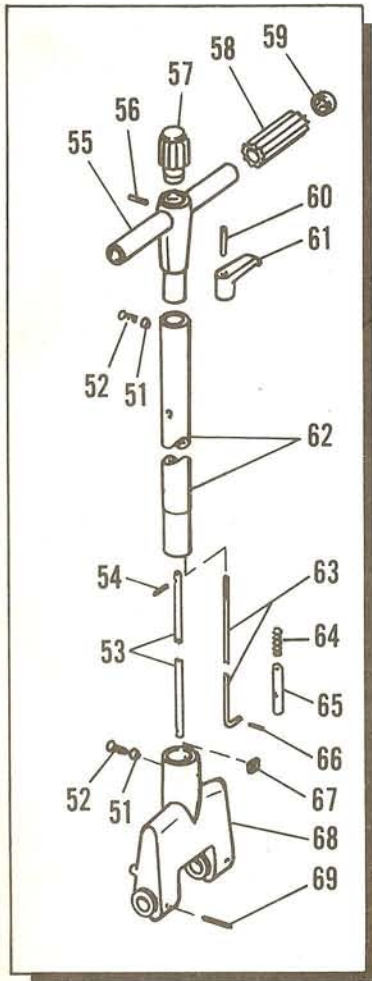
10 Tons

67410

BLACKHAWK

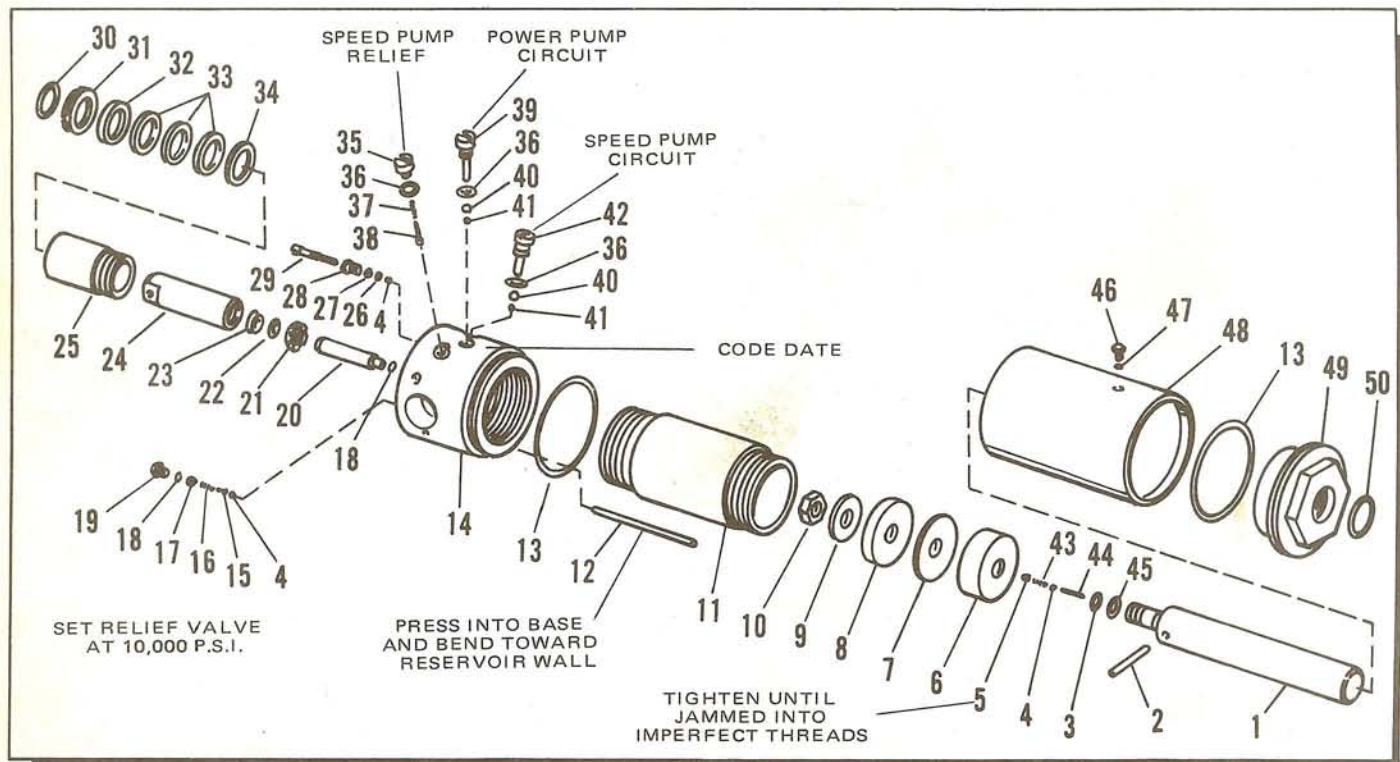
10 Tons

SJ-10



HYDRAULIC UNIT K107.900

USE ONLY BLACKHAWK JACK OIL
NEVER USE BRAKE FLUID.



ITEM NO.	PART NUMBER	QUANTITY	DESCRIPTION	ITEM NO.	PART NUMBER	QUANTITY	DESCRIPTION
1	K3.040	1	Plunger	65	A766.061	1	Pin (Segment)
2	K28.061	1	Pin (Hi-Limit)	66	1.58	1	Pin
* 3	K4.041	1	O-Ring	67	SJ100.420	2	Nut
* 4	1.16	3	Ball, 7/32"	68	A707.133	1	Yoke
5	D369.006	1	Screw	69	A812.261	2	Pin
6	K2.071	1	Disc	70	K52.044	2	Ring
* 7	K7.108	1	Wiper	71	K10.108	4	Washer
* 8	FA11.41.1	1	Cup	72	S4.188.2	6	Fitting
9	E723.108	1	Washer	73	S1.120	4	Nut
10	S1130	1	Nut	74	S1.119	4	Washer
11	K2.030	1	Cylinder	75	K5.055	2	Nut
12	K19.268	1	Tube	76	K9.108	2	Washer
*13	K2.041	2	O-Ring	77	K4.055	2	Nut
14	K6.005	1	Base	78	K7.111	2	Bracket
15	K1.013	1	Guide	79	K3.154	2	Caster
16	B162.206	1	Spring	80	K10.028	6	Bolt
17	B956.028	1	Plug	81	S4.180	2	Washer
18	B159.167	2	Gasket	82	J559.055	2	Nut
19	A651.006	1	Plug	83	K34.101	1	Plate, R.H.
20	K4.040	1	Piston (Power)	84	K2.149	2	Rod (Tie)
21	K6.055	1	Nut	85	K2.013	1	Stabilizer
22	K15.108	1	Wiper	86	K21.061	2	Pin
23	K3.041	1	Cup	87	B776.181	6	Nut
24	K5.040	1	Piston (Speed)	88	K244.108	6	Washer
25	K1.030	1	Cylinder (Pump)	89	K19.061	1	Pin (Pivot)
*26	1.74	1	Packing	90	K2.106	2	Wheel
*27	AJ100042	1	Wiper	91	K2.107	2	Bearing
28	CB9.11	1	Nut	92	K8.104	1	Axle
29	K5.010	1	Spindle	93	K4.062	2	Link
*30	A730.394	1	Seal	94	K5.110	1	Spring
31	A825.035	1	Nut	95	K35.101	1	Plate, L.H.
32	A826.043	1	Spreader	96	K26.061	1	Pin
*33	D866.041	3	Cup	97	K25.061	1	Pin (Arm)
34	A798.043	1	Spreader	98	K13.028	2	Bolt
35	K6.006	1	Plug	99	K41900	1	Hydraulic Unit
*36	D144.167	3	Gasket	100	K20.061	1	Pin (Trunnion)
37	K6.110	1	Spring	101	K18.58	4	Pin
38	K7.264	1	Valve	102	K22.061	1	Pin (Front)
39	K8.006	1	Plug	103	K24.061	1	Pin (Back)
*40	C783.016	2	Ball, 7/16"	104	K4.186	1	Spacer
*41	S1.16	2	Ball, 5/16"	105	K9.096	1	Connector
42	K7.006	1	Plug	106	K31.061	2	Pin
43	D386.183	1	Spring	107	K23.061	2	Pin (Yoke)
44	D367.107	1	Rod	108	K1.134	1	Segment
45	K11.108	1	Wiper	109	K5.950	1	Universal
46	AJ100060	1	Plug	110	D238.061	2	Pin
*47	AJ100020	1	Gasket	111	K6.062	1	Extension
48	K2.025	1	Reservoir	112	K5.062	2	Link
49	K3.020	1	Cap	113	H94.028	8	Screw
*50	L937.041	1	O-Ring	114	K2.098	1	Cover
51	D914.108	4	Washer	115	K289.044	2	Ring
52	A953.252	4	Screw	116	K17.061	1	Pin (Bracket)
53	K3.149	1	Rod (Release)	117	K2.103	1	Arm
54	D184.061	1	Pin	118	K27.061	1	Pin (Saddle)
55	A962.135	1	Cross	119	K2.045	1	Saddle
56	A954.058	1	Pin	120	K8.111	1	Bracket
57	K1.308	1	Knob	121	K16.061	1	Pin (Link)
58	A725.550	2	Grip	122	K3.061	2	Pin
59	Obsolete	2	Plug	123	K18.061	2	Pin (Axle)
60	D894.055	-	Nut	†	47070		Oil, Jack
61	A963.144	1	Lever	†	AJ100.503	1	Decal (Caution)
62	A763.127	1	Tube	†	Obsolete		Kit, Decal (Model)
63	A961.142	1	Rod (Segment)	*†	67410X	1	Kit, Repair
64	A768.141	1	Spring				

† Not Shown

* Items included in kit are marked with an asterisk.